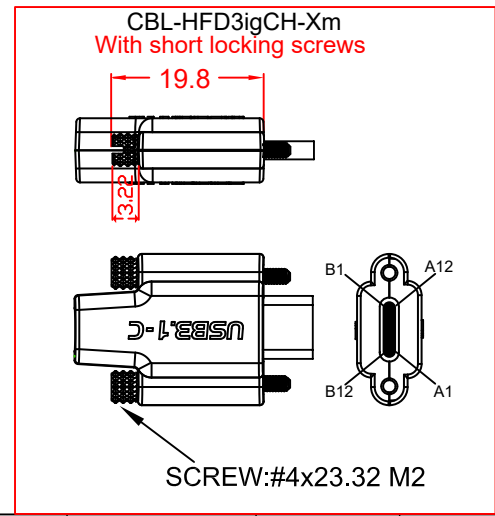
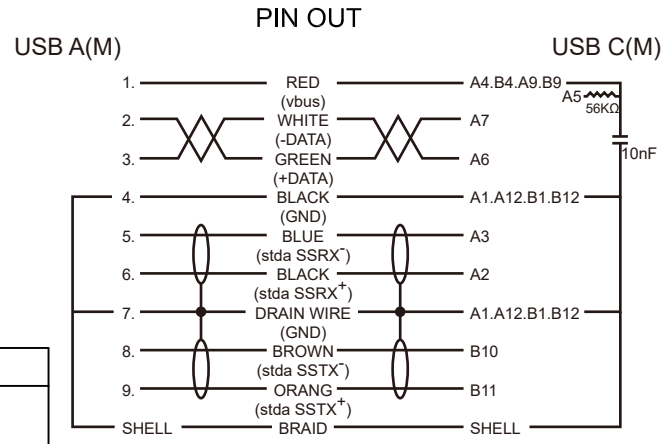
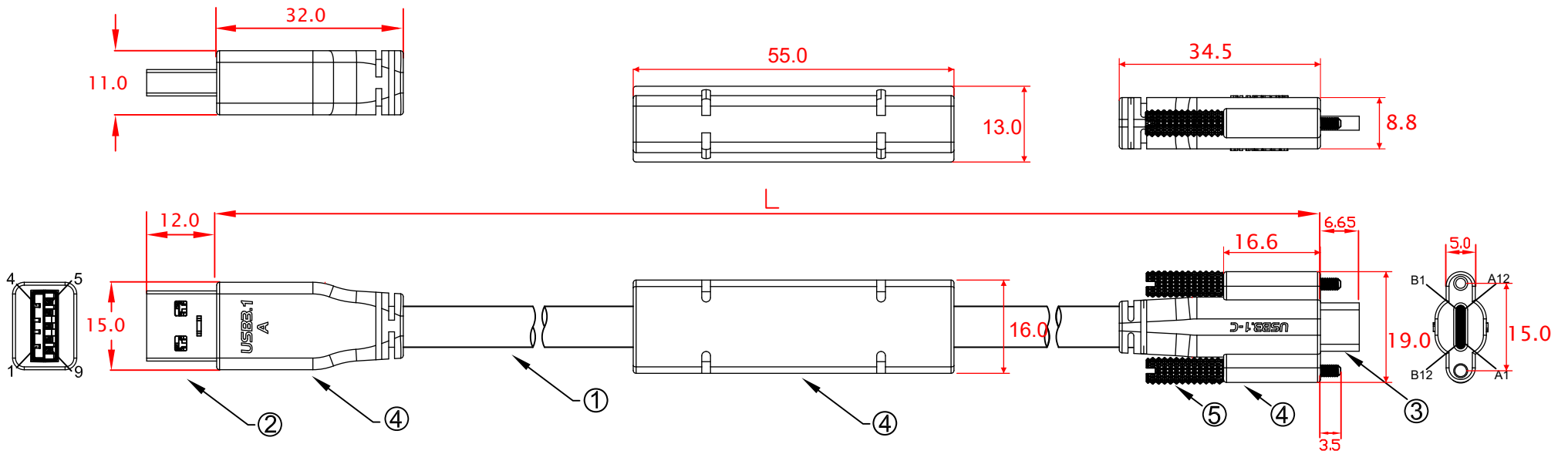


L:
 CBL-HFD3igCS-4m 4000mm±30mm
 CBL-HFD3igCS-5m 5000mm±30mm
 CBL-HFD3igCS-6m 6000mm±30mm

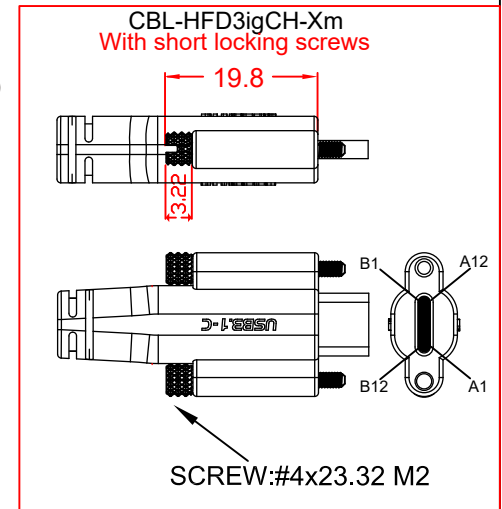
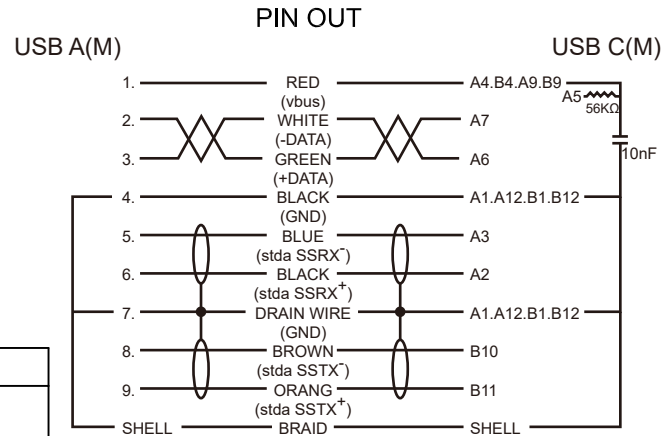


No	MATERIALS LIST:
1.	CABLE:UL20236 (2x(2x28AWG)+2x(2x28AWG)C) OD:7.0mm PUR JACKET COLOR:RED LILAC
2.	CONNECTOR:USB 3.0 A/M, 9P, BLUE INSULATOR SOLDER TYPE, NICKEL PLATED SHELL
3.	CONNECTOR:USB 3.1 TYPE-C, MALE, NICKEL PLATED SHELL
4.	ABS ASSEMBLY HOUSING, BLACK COLOR
5.	SCREW:#4x33 M2

Jargy part no.	Client part no.	Approved	SCALE	UNIT
CBL-HFD3igCS-xm				mm
Drawing Name		Drawn	Date	REV.
USB 3.1 GEN 1 A to C Cable M/M				1.0



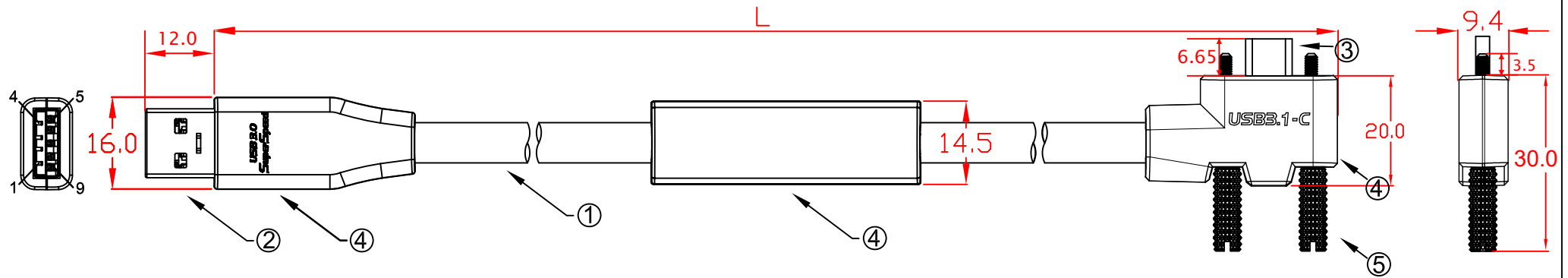
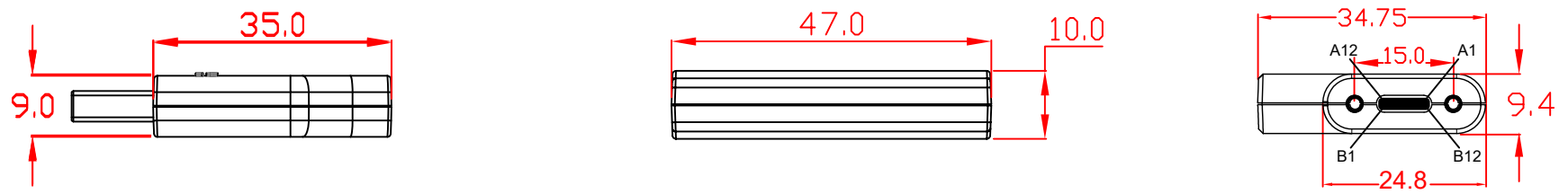
- L:
- CBL-HFD3igCS-4m 4000mm±30mm
 - CBL-HFD3igCS-5m 5000mm±30mm
 - CBL-HFD3igCS-6m 6000mm±30mm



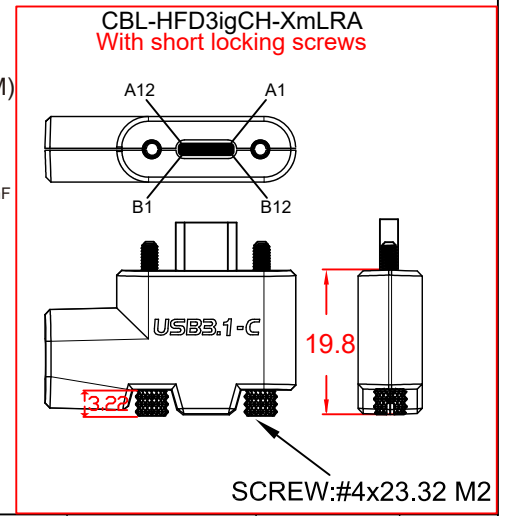
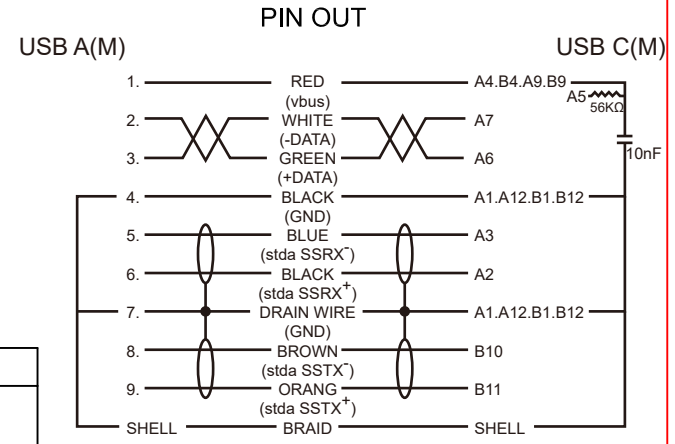
No	MATERIALS LIST:
1.	CABLE:UL20236 (2x(2x28AWG)+2x(2x28AWG)C) OD:7.0mm PUR JACKET COLOR:RED LILAC
2.	CONNECTOR:USB 3.0 A/M, 9P, BLUE INSULATOR SOLDER TYPE, NICKEL PLATED SHELL
3.	CONNECTOR:USB 3.1 TYPE-C, MALE, NICKEL PLATED SHELL
4.	PVC MOLDED HOUSING, BLACK COLOR
5.	SCREW:#4x33 M2

Jargy part no.	Client part no.	Approved	SCALE	UNIT
CBL-HFD3igCS-xm				mm
Drawing Name		Drawn	Date	REV.
USB 3.1 GEN 1 A to C Cable M/M				1.0

Mobile Computing **JARGY**

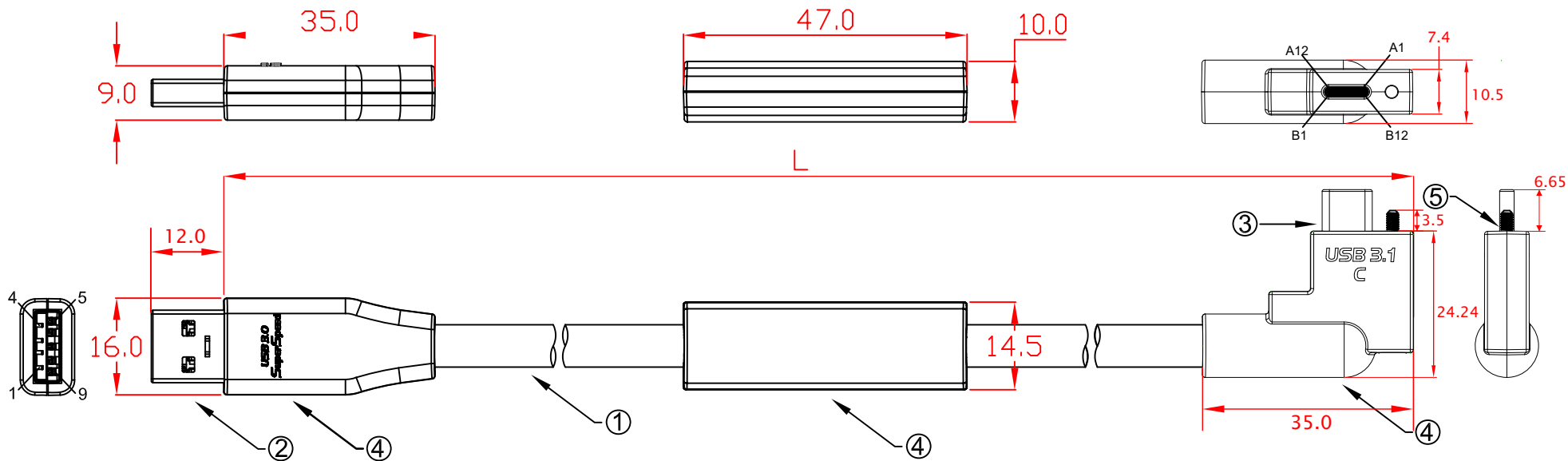


L:
 CBL-HFD3igCS-4mLRA 4000mm±30mm
 CBL-HFD3igCS-5mLRA 5000mm±30mm
 CBL-HFD3igCS-6mLRA 6000mm±30mm



No	MATERIALS LIST:
1.	CABLE:UL20236 (2x(2x28AWG)+2x(2x28AWG)C) OD:7.0mm PUR JACKET COLOR:RED LILAC
2.	CONNECTOR:USB 3.0 A/M, 9P, BLUE INSULATOR SOLDER TYPE, NICKEL PLATED SHELL
3.	CONNECTOR:USB 3.1 TYPE-C, MALE, NICKEL PLATED SHELL
4.	ABS ASSEMBLY HOUSING, BLACK COLOR
5.	SCREW:#4x33 M2

Jargy part no.	Client part no.	Approved	SCALE	UNIT
CBL-HFD3igCS-xmLRA				mm
Drawing Name		Drawn	Date	REV.
USB 3.1 GEN 1 A to C Cable M/M				1.0

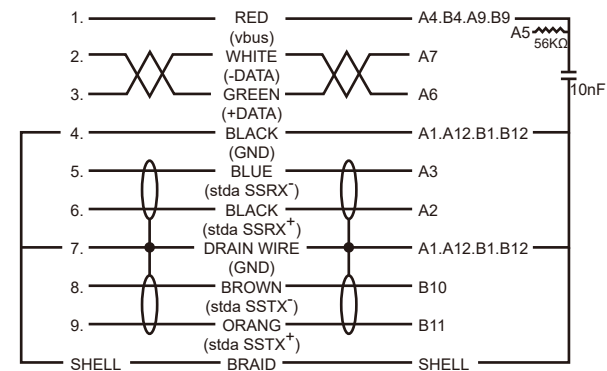


L:
 CBL-HFD3igCSN-4mLRA 4000mm±30mm
 CBL-HFD3igCSN-5mLRA 5000mm±30mm
 CBL-HFD3igCSN-6mLRA 6000mm±30mm

PIN OUT

USB A(M)

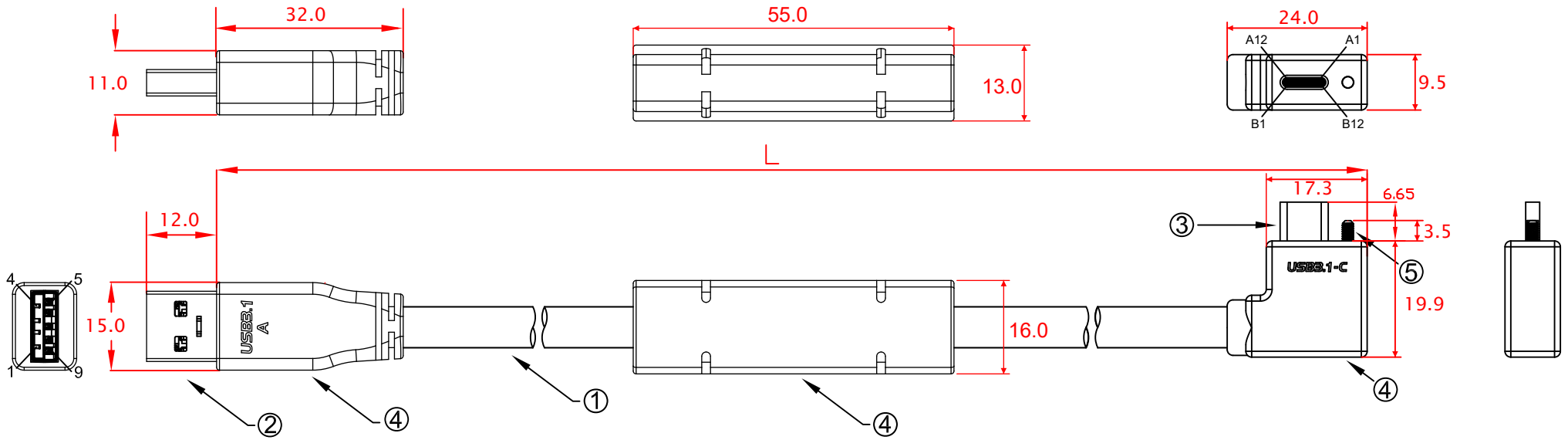
USB C(M)



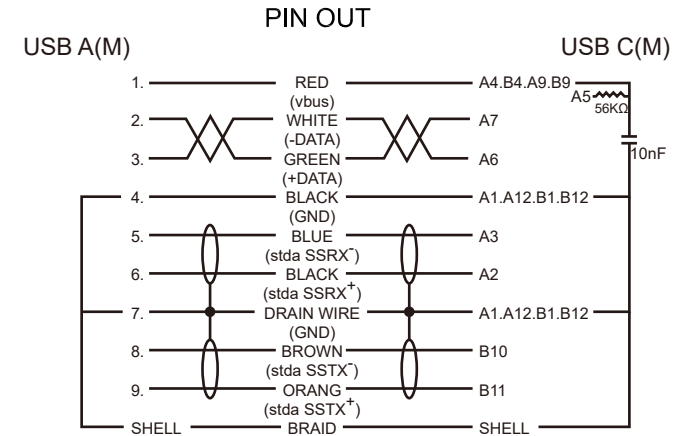
No MATERIALS LIST:

1.	CABLE:UL20236 (2x(2x28AWG)+2x(2x28AWG)C) OD:7.0mm PUR JACKET COLOR:RED LILAC
2.	CONNECTOR:USB 3.0 A/M, 9P, BLUE INSULATOR SOLDER TYPE, NICKEL PLATED SHELL
3.	CONNECTOR:USB 3.1 TYPE-C, MALE, NICKEL PLATED SHELL
4.	ABS ASSEMBLY HOUSING, BLACK COLOR
5.	SCREW:#4x23.32 M2

Jargy part no.	Client part no.	Approved	SCALE	UNIT
CBL-HFD3igCSN-xmLRA				mm
Drawing Name		Drawn	Date	REV.
USB 3.1 GEN 1 A to C Cable M/M				1.0

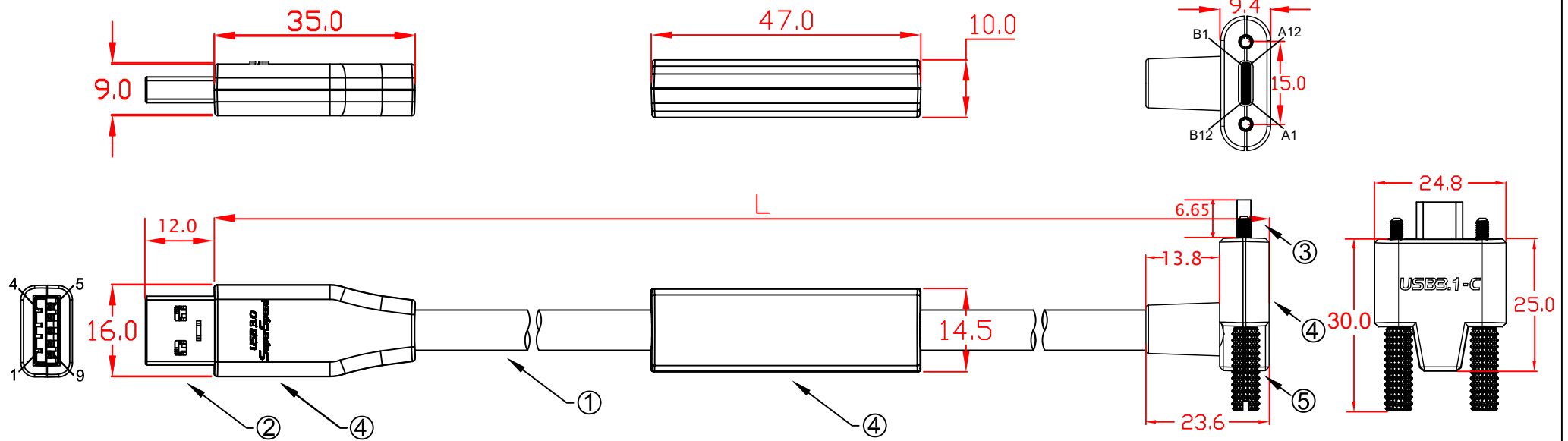


L:
 CBL-HFD3igCH-4mLRA 4000mm±30mm
 CBL-HFD3igCH-5mLRA 5000mm±30mm
 CBL-HFD3igCH-6mLRA 6000mm±30mm

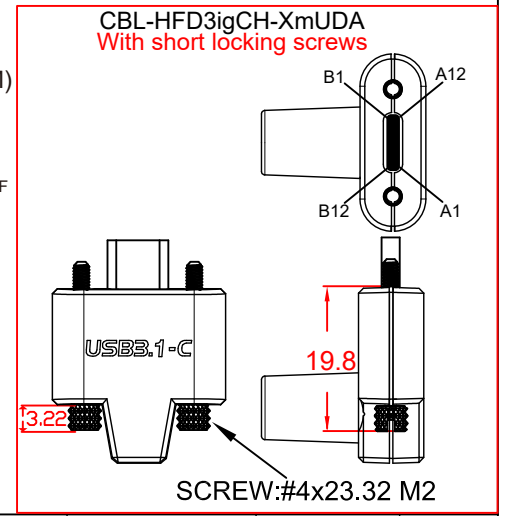
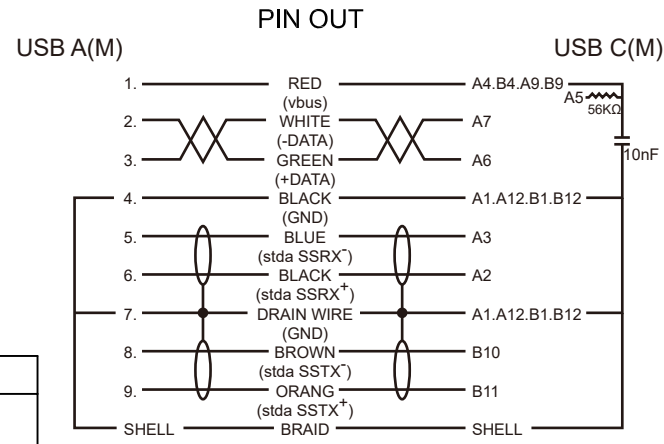


No	MATERIALS LIST:
1.	CABLE:UL20236 (2x(2x28AWG)+2x(2x28AWG)C) OD:7.0mm PUR JACKET COLOR:RED LILAC
2.	CONNECTOR:USB 3.0 A/M, 9P, BLUE INSULATOR SOLDER TYPE, NICKEL PLATED SHELL
3.	CONNECTOR:USB 3.1 TYPE-C, MALE, NICKEL PLATED SHELL
4.	PVC MOLDED HOUSING, BLACK COLOR
5.	SCREW:#4x23.32 M2

Jargy part no.	Client part no.	Approved	SCALE	UNIT
CBL-HFD3igCH-xmLRA				mm
Drawing Name		Drawn	Date	REV.
USB 3.1 GEN 1 A to C Cable M/M				1.0

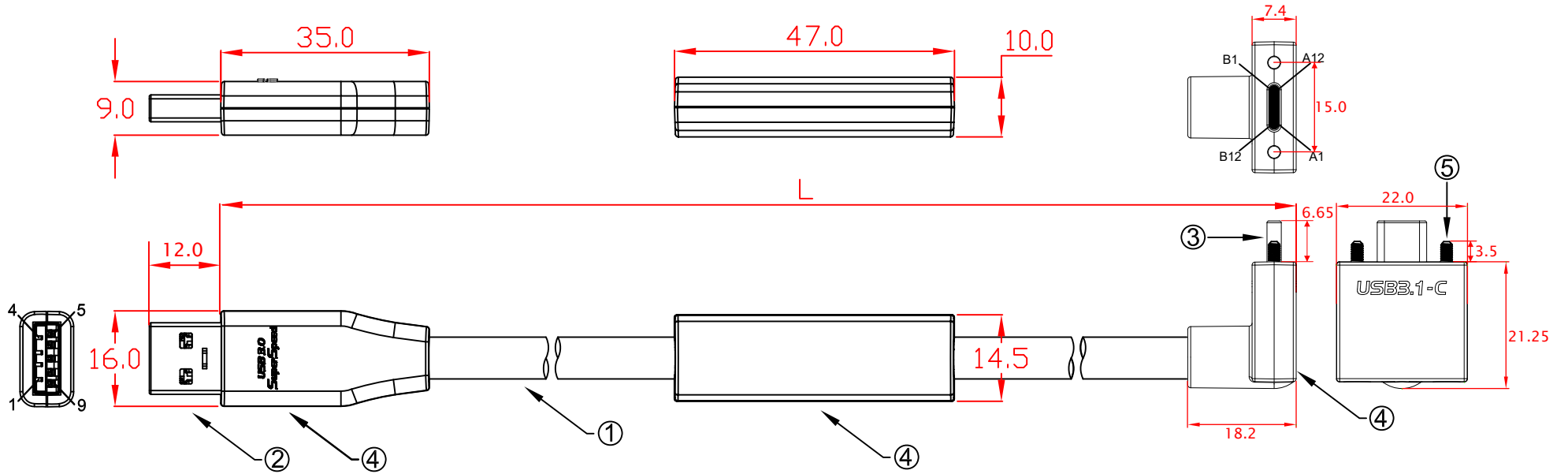


L:
 CBL-HFD3igCS-4mUDA 4000mm±30mm
 CBL-HFD3igCS-5mUDA 5000mm±30mm
 CBL-HFD3igCS-6mUDA 6000mm±30mm

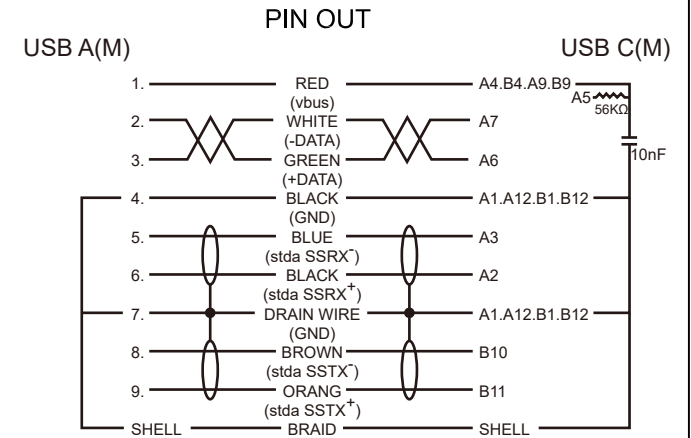


No	MATERIALS LIST:
1.	CABLE:UL20236 (2x(2x28AWG)+2x(2x28AWG)C) OD:7.0mm PUR JACKET COLOR:RED LILAC
2.	CONNECTOR:USB 3.0 A/M, 9P, BLUE INSULATOR SOLDER TYPE, NICKEL PLATED SHELL
3.	CONNECTOR:USB 3.1 TYPE-C, MALE, NICKEL PLATED SHELL
4.	ABS ASSEMBLY HOUSING, BLACK COLOR
5.	SCREW:#4x33 M2

Jargy part no.	Client part no.	Approved	SCALE	UNIT
CBL-HFD3igCS-xmUDA				mm
Drawing Name		Drawn	Date	REV.
USB 3.1 GEN 1 A to C Cable M/M				1.0

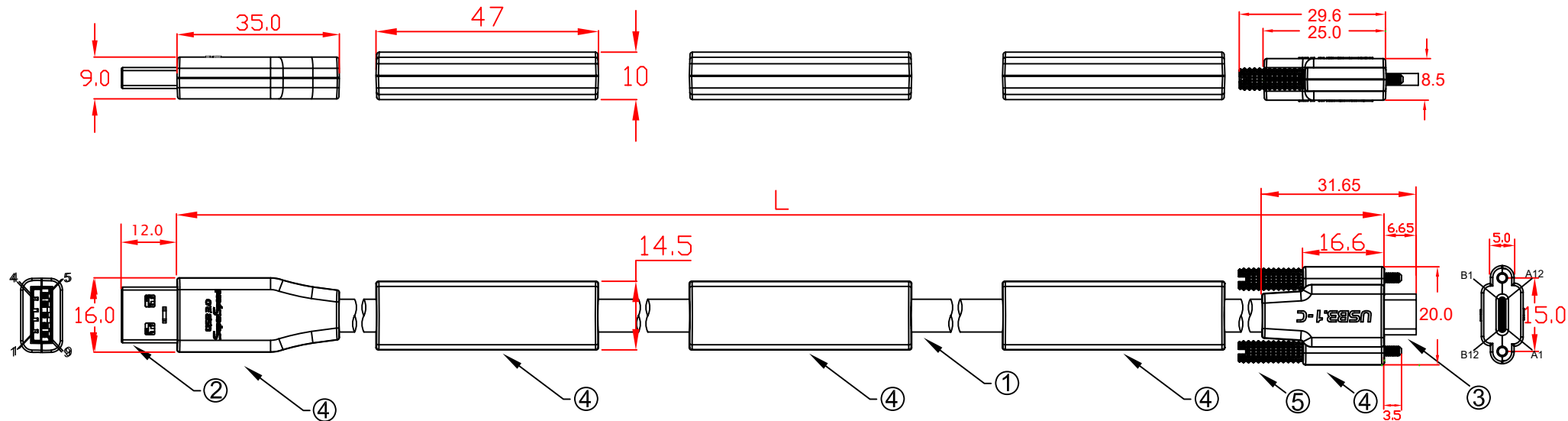


L:
 CBL-HFD3igCSN-4mUDA 4000mm±30mm
 CBL-HFD3igCSN-5mUDA 5000mm±30mm
 CBL-HFD3igCSN-6mUDA 6000mm±30mm

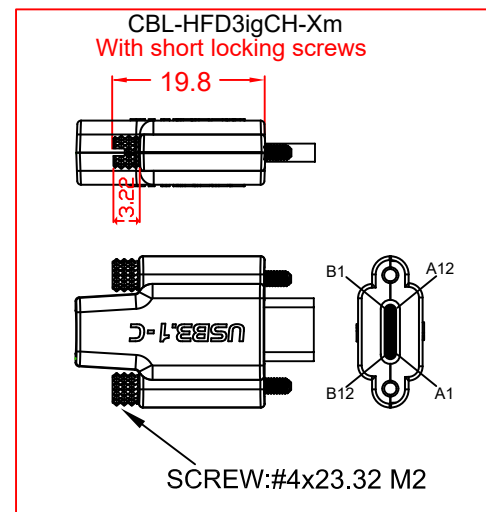
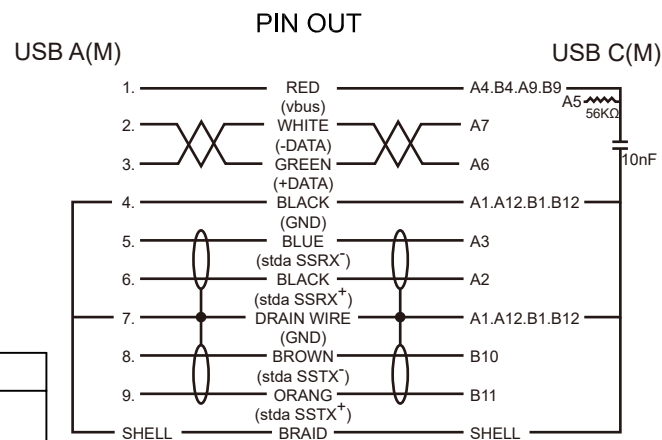


No	MATERIALS LIST:
1.	CABLE:UL20236 (2x(2x28AWG)+2x(2x28AWG)C) OD:7.0mm PUR JACKET COLOR:RED LILAC
2.	CONNECTOR:USB 3.0 A/M, 9P, BLUE INSULATOR SOLDER TYPE, NICKEL PLATED SHELL
3.	CONNECTOR:USB 3.1 TYPE-C, MALE, NICKEL PLATED SHELL
4.	ABS ASSEMBLY HOUSING, BLACK COLOR
5.	SCREW:#4x23.32 M2

Jargy part no.	Client part no.	Approved	SCALE	UNIT
CBL-HFD3igCSN-xmUDA				mm
Drawing Name		Drawn	Date	REV.
USB 3.1 GEN 1 A to C Cable M/M				1.0

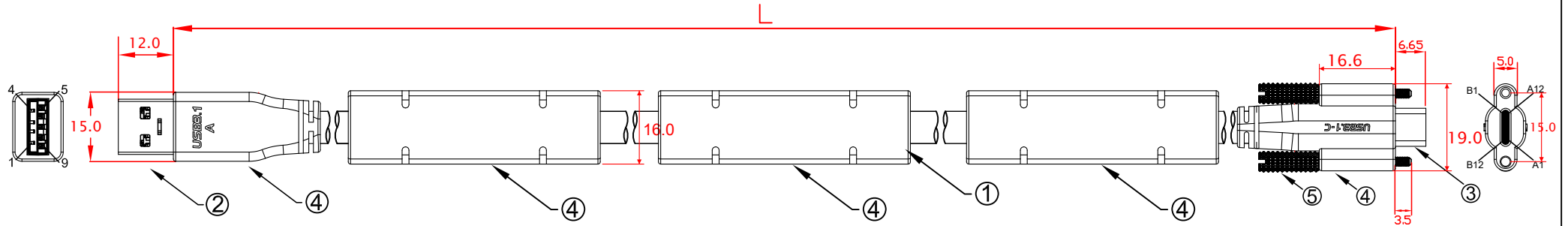
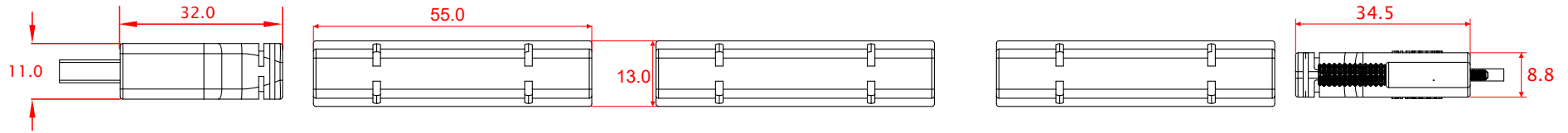


L:
 CBL-HFD3igCS-7m 7000mm±50mm
 CBL-HFD3igCS-8m 8000mm±50mm
 CBL-HFD3igCS-9m 9000mm±50mm

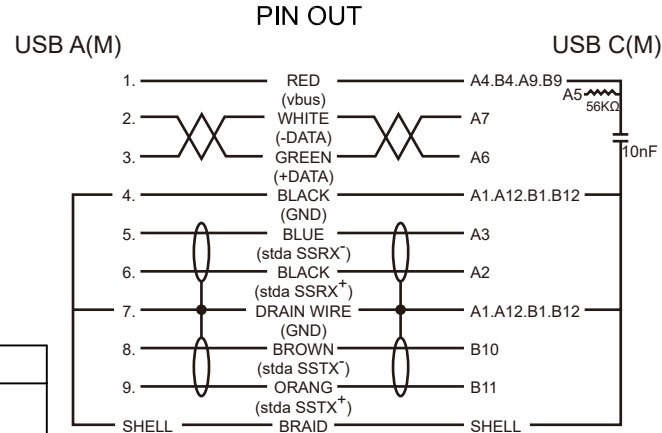


No	MATERIALS LIST:
1.	CABLE:UL20236 (2x(2x28AWG)+2x(2x28AWG)C) OD:7.0mm PUR JACKET COLOR:RED LILAC
2.	CONNECTOR:USB 3.0 A/M, 9P, BLUE INSULATOR SOLDER TYPE, NICKEL PLATED SHELL
3.	CONNECTOR:USB 3.1 TYPE-C, MALE, NICKEL PLATED SHELL
4.	ABS ASSEMBLY HOUSING, BLACK COLOR
5.	SCREW:#4x33 M2

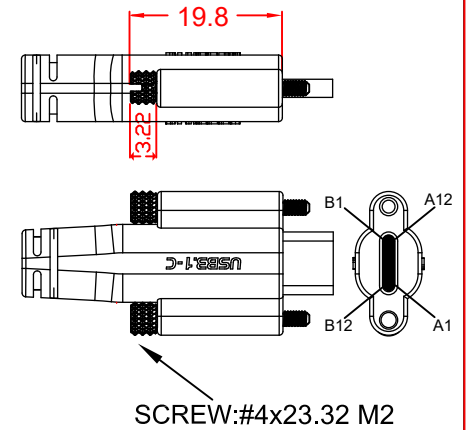
Jargy part no.	Client part no.	Approved	SCALE	UNIT
CBL-HFD3igCS-xm				mm
Drawing Name		Drawn	Date	REV.
USB 3.1 GEN 1 A to C Cable M/M				1.0



L:
 CBL-HFD3igCS-7m 7000mm±50mm
 CBL-HFD3igCS-8m 8000mm±50mm
 CBL-HFD3igCS-9m 9000mm±50mm

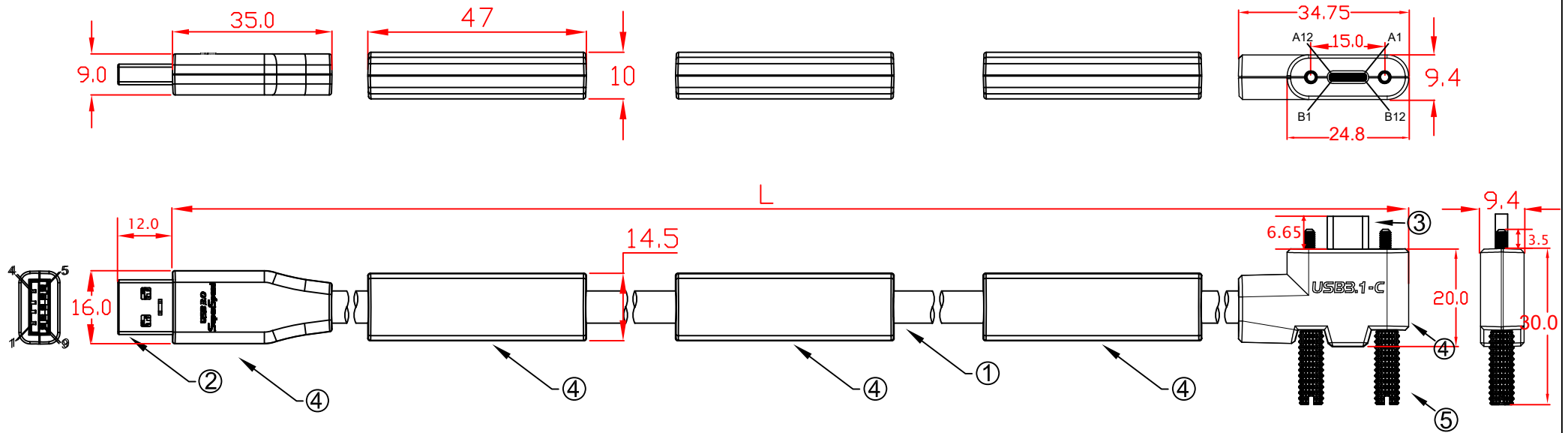


CBL-HFD3igCH-Xm
 With short locking screws

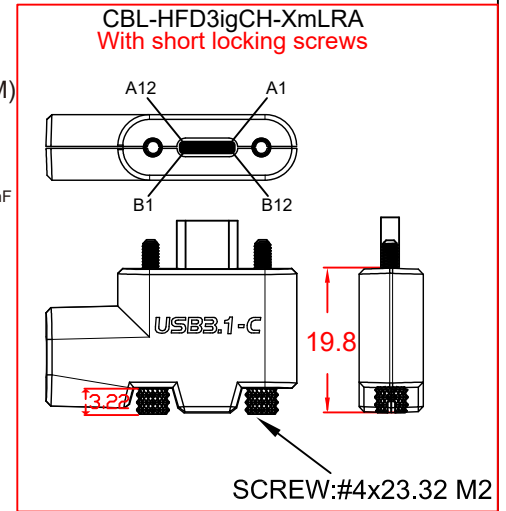
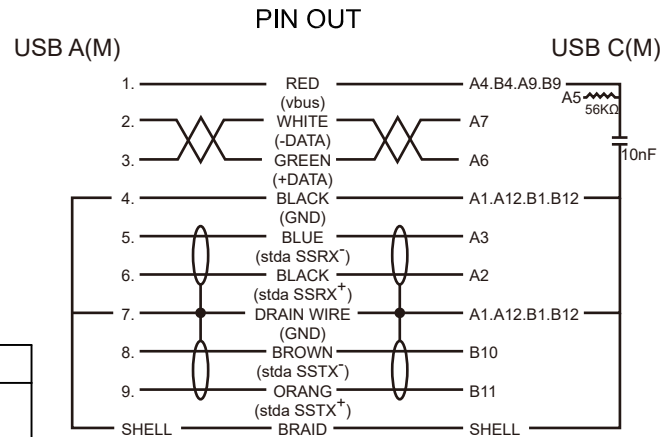


No	MATERIALS LIST:
1.	CABLE:UL20236 (2x(2x28AWG)+2x(2x28AWG)C) OD:7.0mm PUR JACKET COLOR:RED LILAC
2.	CONNECTOR:USB 3.0 A/M, 9P, BLUE INSULATOR SOLDER TYPE, NICKEL PLATED SHELL
3.	CONNECTOR:USB 3.1 TYPE-C, MALE, NICKEL PLATED SHELL
4.	PVC MOLDED HOUSING, BLACK COLOR
5.	SCREW:#4x33 M2

Jargy part no.	Client part no.	Approved	SCALE	UNIT
CBL-HFD3igCS-xm				mm
Drawing Name		Drawn	Date	REV.
USB 3.1 GEN 1 A to C Cable M/M				1.0

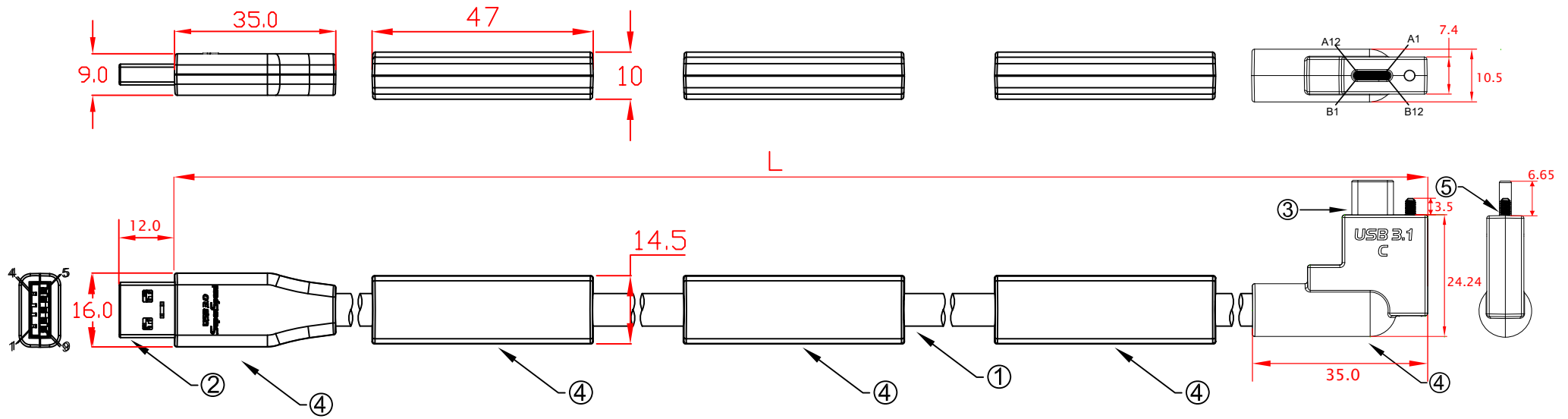


L:
 CBL-HFD3igCS-7mLRA 7000mm±50mm
 CBL-HFD3igCS-8mLRA 8000mm±50mm
 CBL-HFD3igCS-9mLRA 9000mm±50mm



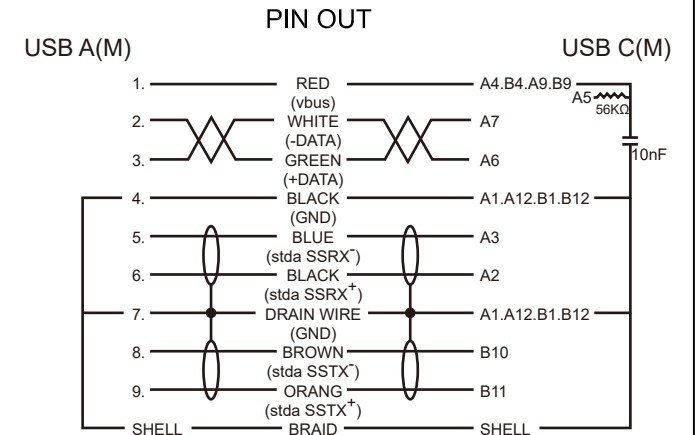
No	MATERIALS LIST:
1.	CABLE:UL20236 (2x(2x28AWG)+2x(2x28AWG)C) OD:7.0mm PUR JACKET COLOR:RED LILAC
2.	CONNECTOR:USB 3.0 A/M, 9P, BLUE INSULATOR SOLDER TYPE, NICKEL PLATED SHELL
3.	CONNECTOR:USB 3.1 TYPE-C, MALE, NICKEL PLATED SHELL
4.	ABS ASSEMBLY HOUSING, BLACK COLOR
5.	SCREW:#4x33 M2

Jargy part no.	Client part no.	Approved	SCALE	UNIT
CBL-HFD3igCS-xmLRA				mm
Drawing Name		Drawn	Date	REV.
USB 3.1 GEN 1 A to C Cable M/M				1.0

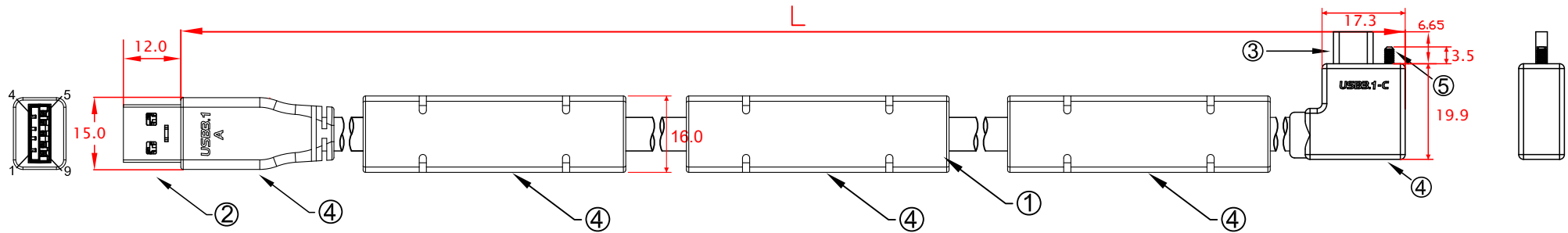
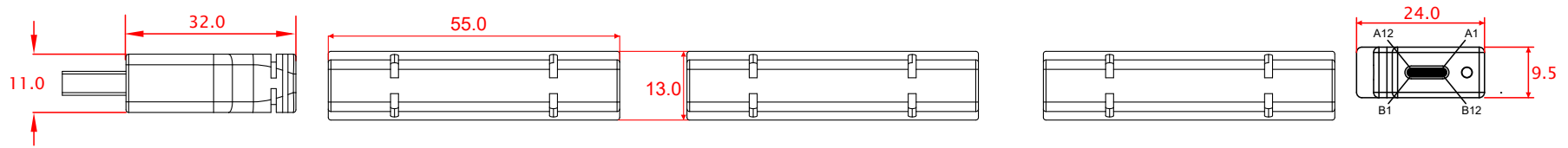


L:
 CBL-HFD3igCSN-7mLRA 7000mm±50mm
 CBL-HFD3igCSN-8mLRA 8000mm±50mm
 CBL-HFD3igCSN-9mLRA 9000mm±50mm

No	MATERIALS LIST:
1.	CABLE:UL20236 (2x(2x28AWG)+2x(2x28AWG)C) OD:7.0mm PUR JACKET COLOR:RED LILAC
2.	CONNECTOR:USB 3.0 A/M, 9P, BLUE INSULATOR SOLDER TYPE, NICKEL PLATED SHELL
3.	CONNECTOR:USB 3.1 TYPE-C, MALE, NICKEL PLATED SHELL
4.	ABS ASSEMBLY HOUSING, BLACK COLOR
5.	SCREW:#4x23.32 M2

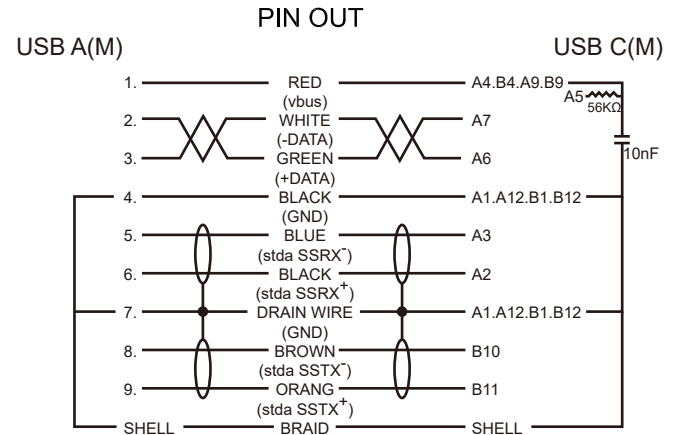


Jargy part no.	Client part no.	Approved	SCALE	UNIT
CBL-HFD3igCSN-xlLRA				mm
Drawing Name		Drawn	Date	REV.
USB 3.1 GEN 1 A to C Cable M/M				1.0

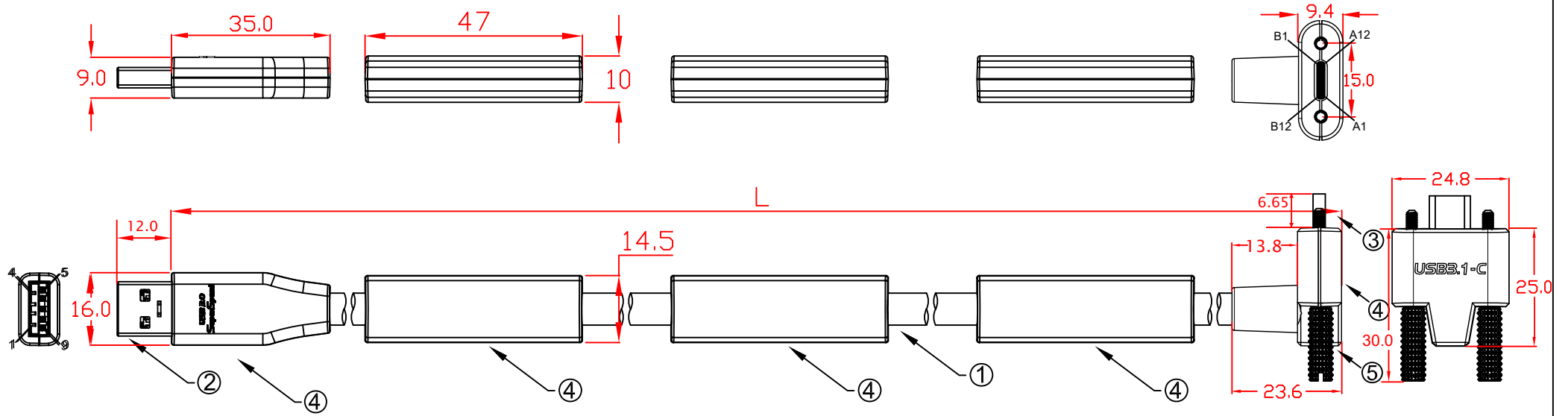


- L:**
- CBL-HFD3igCH-7mLRA 7000mm±50mm
 - CBL-HFD3igCH-8mLRA 8000mm±50mm
 - CBL-HFD3igCH-9mLRA 9000mm±50mm

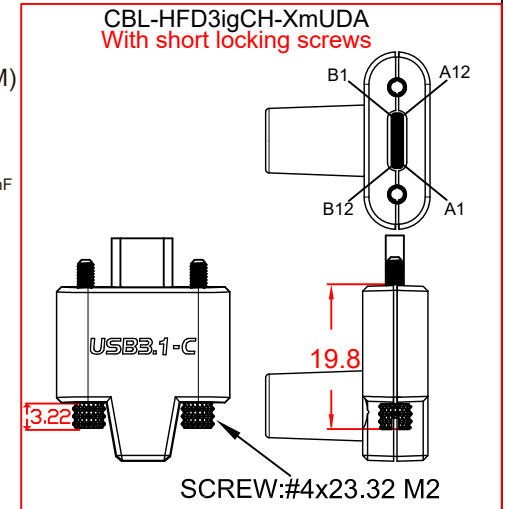
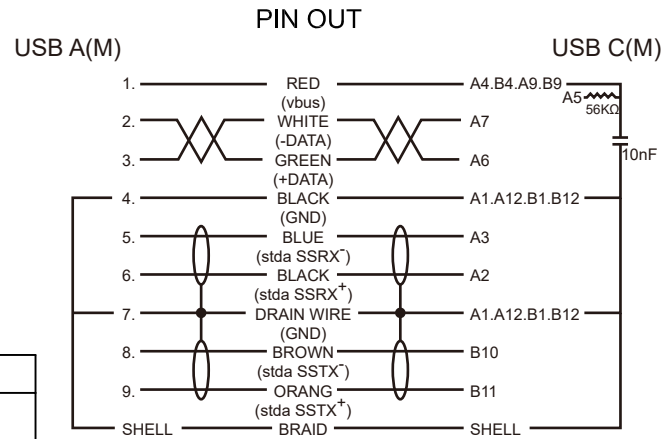
No	MATERIALS LIST:
1.	CABLE:UL20236 (2x(2x28AWG)+2x(2x28AWG)C) OD:7.0mm PUR JACKET COLOR:RED LILAC
2.	CONNECTOR:USB 3.0 A/M, 9P, BLUE INSULATOR SOLDER TYPE, NICKEL PLATED SHELL
3.	CONNECTOR:USB 3.1 TYPE-C, MALE, NICKEL PLATED SHELL
4.	PVC MOLDED HOUSING, BLACK COLOR
5.	SCREW:#4x23.32 M2



Jargy part no.	Client part no.	Approved	SCALE	UNIT
CBL-HFD3igCH-xmLRA				mm
Drawing Name		Drawn	Date	REV.
USB 3.1 GEN 1 A to C Cable M/M				1.0

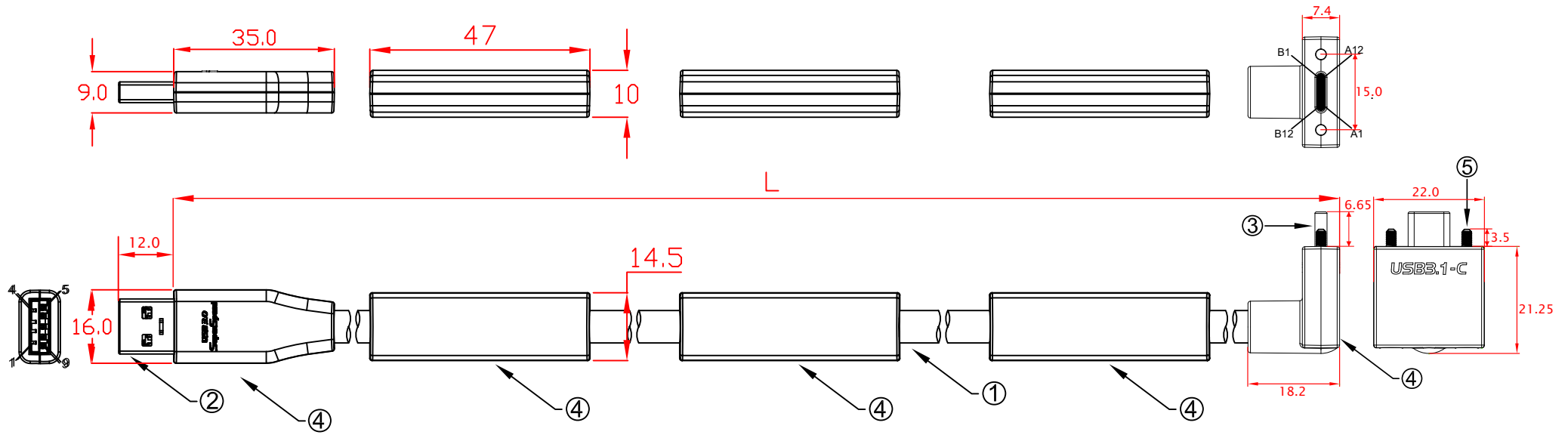


L:
 CBL-HFD3igCS-7mUDA 7000mm±50mm
 CBL-HFD3igCS-8mUDA 8000mm±50mm
 CBL-HFD3igCS-9mUDA 9000mm±50mm



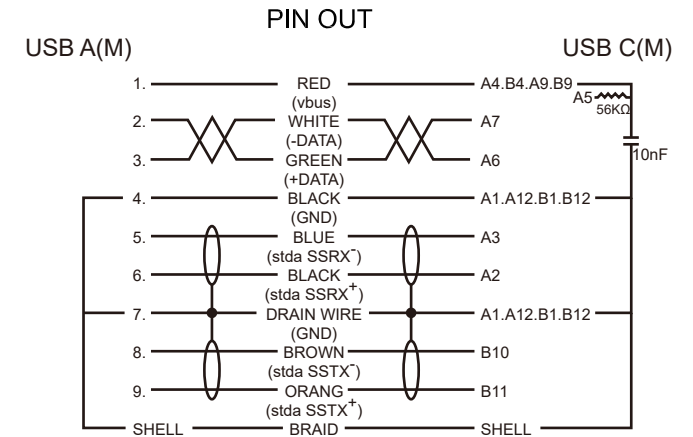
No	MATERIALS LIST:
1.	CABLE:UL20236 (2x(2x28AWG)+2x(2x28AWG)C) OD:7.0mm PUR JACKET COLOR:RED LILAC
2.	CONNECTOR:USB 3.0 A/M, 9P, BLUE INSULATOR SOLDER TYPE, NICKEL PLATED SHELL
3.	CONNECTOR:USB 3.1 TYPE-C, MALE, NICKEL PLATED SHELL
4.	ABS ASSEMBLY HOUSING, BLACK COLOR
5.	SCREW:#4x33 M2

Jargy part no.	Client part no.	Approved	SCALE	UNIT
CBL-HFD3igCS-xmUDA				mm
Drawing Name		Drawn	Date	REV.
USB 3.1 GEN 1 A to C Cable M/M				1.0

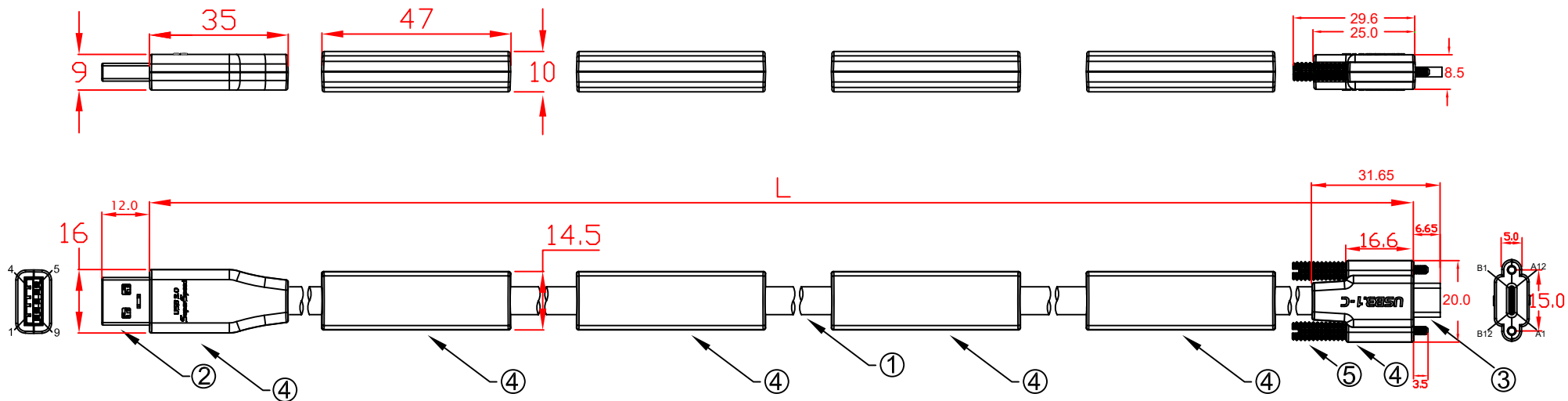


L:
 CBL-HFD3igCSN-7mUDA 7000mm±50mm
 CBL-HFD3igCSN-8mUDA 8000mm±50mm
 CBL-HFD3igCSN-9mUDA 9000mm±50mm

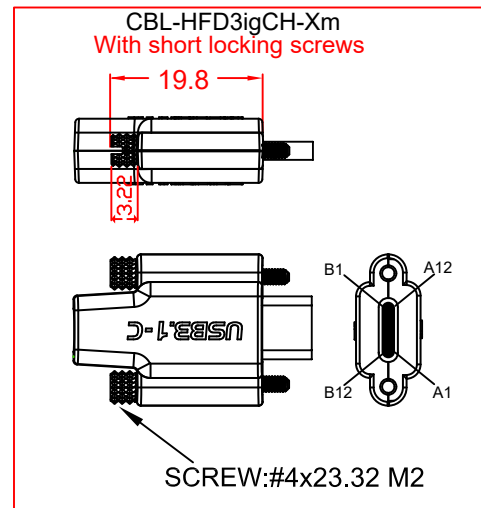
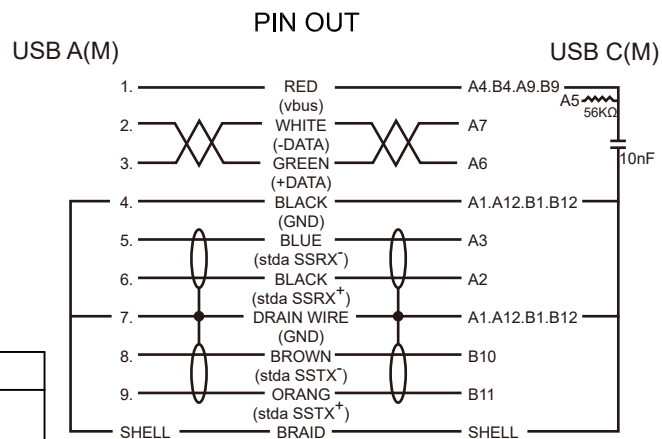
No	MATERIALS LIST:
1.	CABLE:UL20236 (2x(2x28AWG)+2x(2x28AWG)C) OD:7.0mm PUR JACKET COLOR:RED LILAC
2.	CONNECTOR:USB 3.0 A/M, 9P, BLUE INSULATOR SOLDER TYPE, NICKEL PLATED SHELL
3.	CONNECTOR:USB 3.1 TYPE-C, MALE, NICKEL PLATED SHELL
4.	ABS ASSEMBLY HOUSING, BLACK COLOR
5.	SCREW:#4x23.32 M2



Jargy part no.	Client part no.	Approved	SCALE	UNIT
CBL-HFD3igCSN-xmUDA				mm
Drawing Name		Drawn	Date	REV.
USB 3.1 GEN 1 A to C Cable M/M				1.0

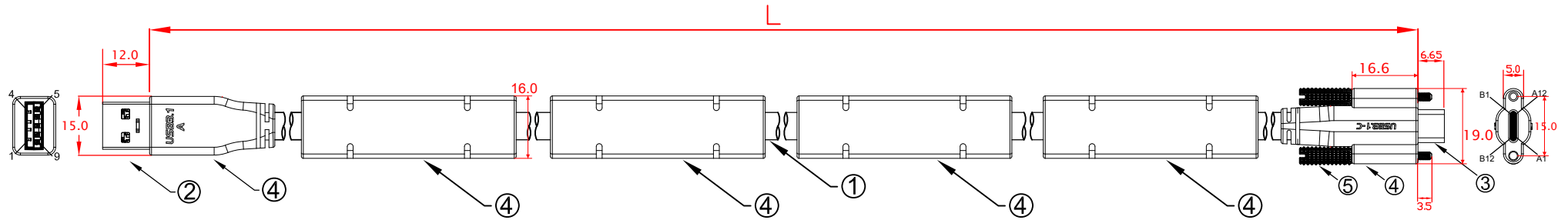
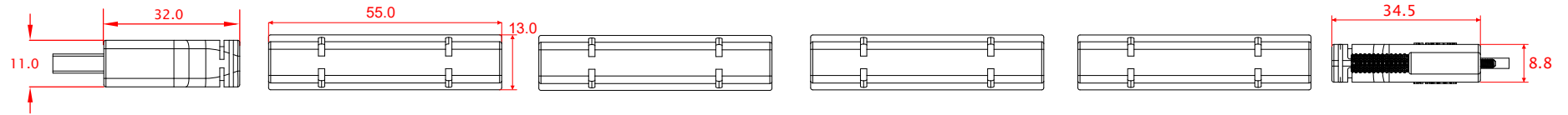


L:
 CBL-HFD3igCS-10m 10000mm±50mm
 CBL-HFD3igCS-11m 11000mm±50mm
 CBL-HFD3igCS-12m 12000mm±50mm

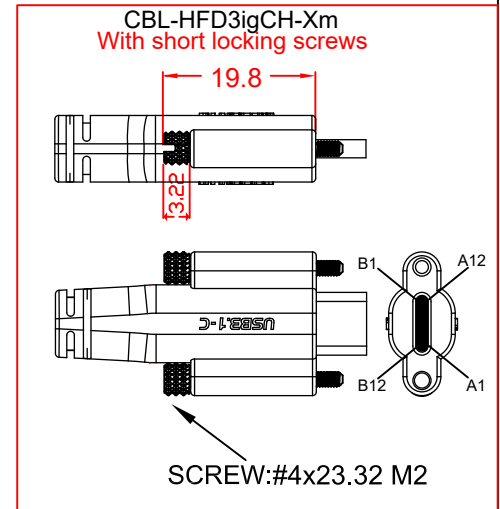
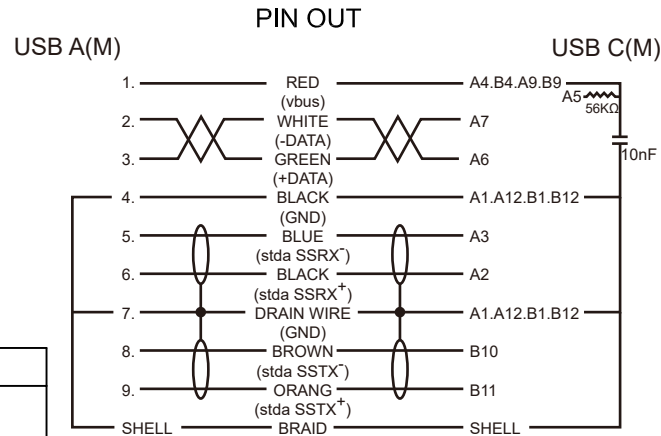


No	MATERIALS LIST:
1.	CABLE:UL20236 (2x(2x28AWG)+2x(2x28AWG)C) OD:7.0mm PUR JACKET COLOR:RED LILAC
2.	CONNECTOR:USB 3.0 A/M, 9P, BLUE INSULATOR SOLDER TYPE, NICKEL PLATED SHELL
3.	CONNECTOR:USB 3.1 TYPE-C, MALE, NICKEL PLATED SHELL
4.	ABS ASSEMBLY HOUSING, BLACK COLOR
5.	SCREW:#4x33 M2

Jargy part no.	Client part no.	Approved	SCALE	UNIT
CBL-HFD3igCS-xm				mm
Drawing Name		Drawn	Date	REV.
USB 3.1 GEN 1 A to C Cable M/M				1.0

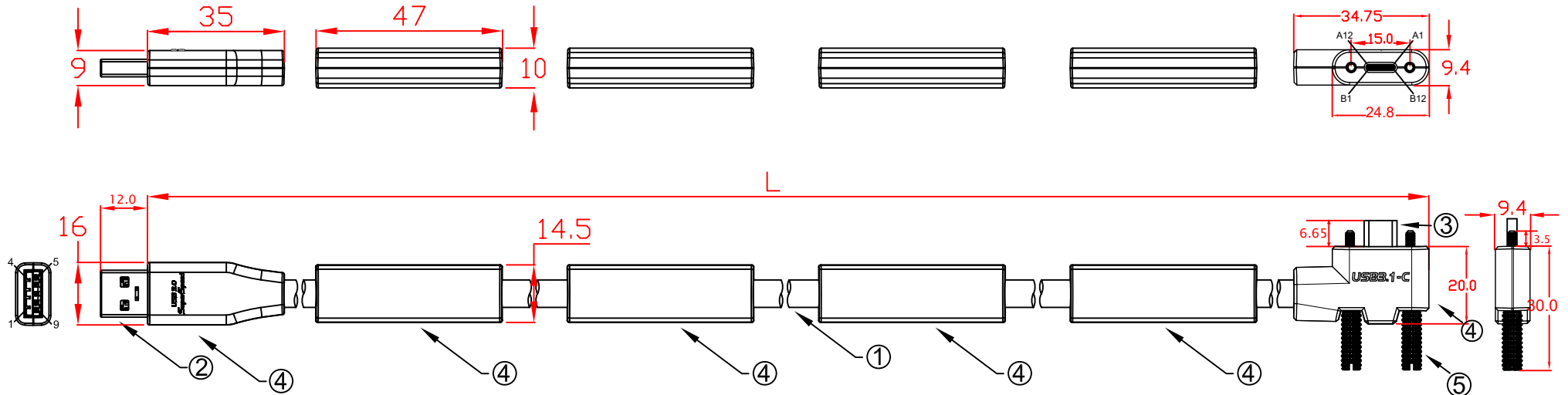


L:
 CBL-HFD3igCS-10m 10000mm±50mm
 CBL-HFD3igCS-11m 11000mm±50mm
 CBL-HFD3igCS-12m 12000mm±50mm



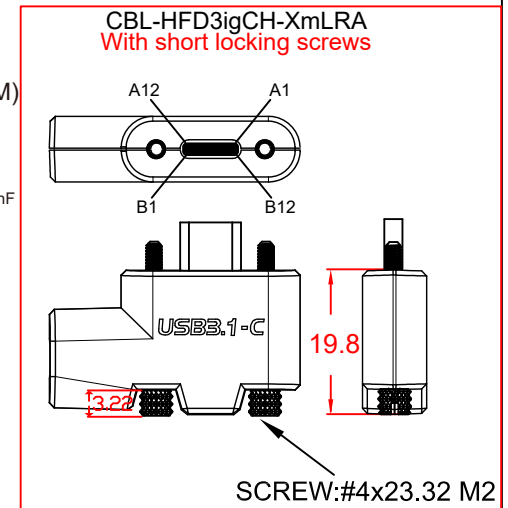
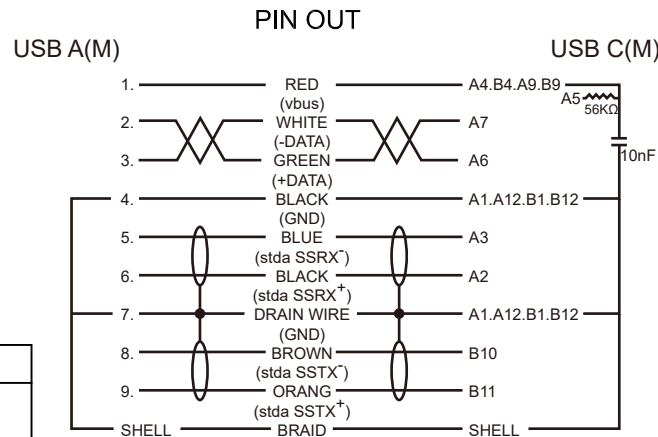
No	MATERIALS LIST:
1.	CABLE:UL20236 (2x(2x28AWG)+2x(2x28AWG)C) OD:7.0mm PUR JACKET COLOR:RED LILAC
2.	CONNECTOR:USB 3.0 A/M, 9P, BLUE INSULATOR SOLDER TYPE, NICKEL PLATED SHELL
3.	CONNECTOR:USB 3.1 TYPE-C, MALE, NICKEL PLATED SHELL
4.	PVC MOLDED HOUSING, BLACK COLOR
5.	SCREW:#4x33 M2

Jargy part no.	Client part no.	Approved	SCALE	UNIT
CBL-HFD3igCS-xm				mm
Drawing Name		Drawn	Date	REV.
USB 3.1 GEN 1 A to C Cable M/M				1.0

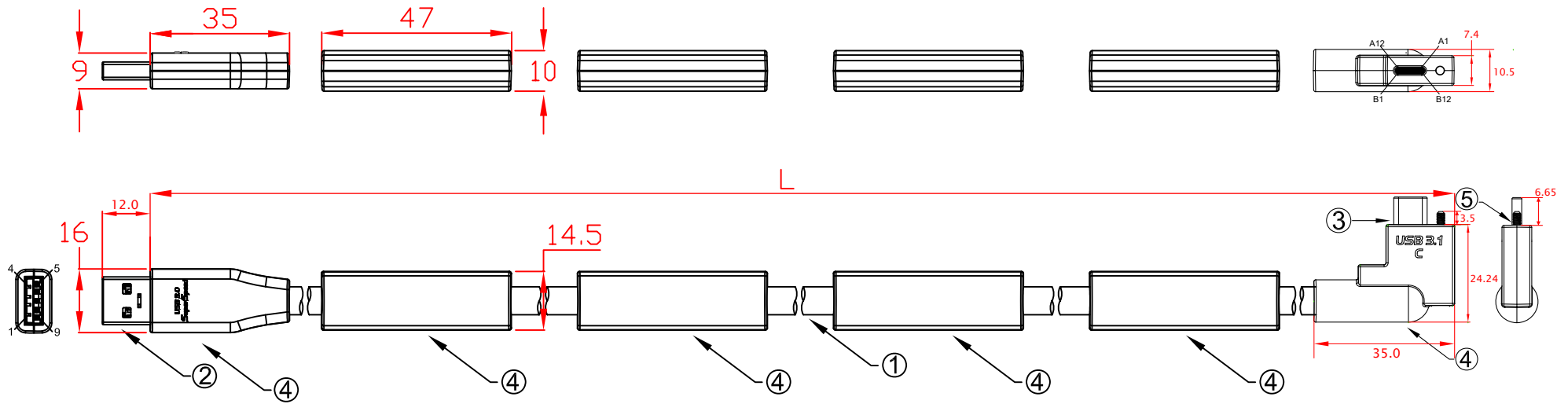


L:
 CBL-HFD3igCS-10mLRA 10000mm±50mm
 CBL-HFD3igCS-11mLRA 11000mm±50mm
 CBL-HFD3igCS-12mLRA 12000mm±50mm

No	MATERIALS LIST:
1.	CABLE:UL20236 (2x(2x28AWG)+2x(2x28AWG)C) OD:7.0mm PUR JACKET COLOR:RED LILAC
2.	CONNECTOR:USB 3.0 A/M, 9P, BLUE INSULATOR SOLDER TYPE, NICKEL PLATED SHELL
3.	CONNECTOR:USB 3.1 TYPE-C, MALE, NICKEL PLATED SHELL
4.	ABS ASSEMBLY HOUSING, BLACK COLOR
5.	SCREW:#4x33 M2



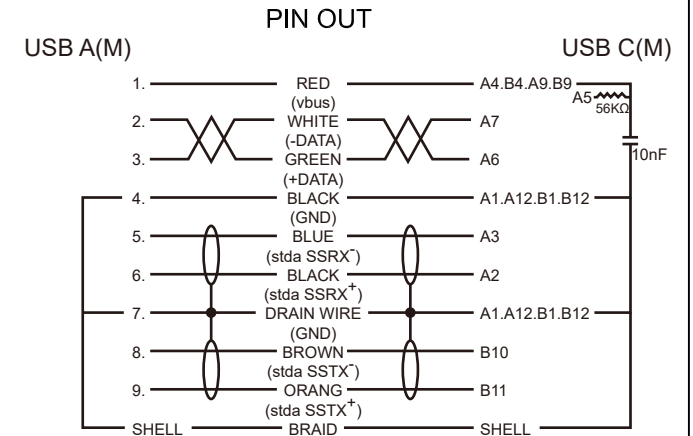
Jargy part no.	Client part no.	Approved	SCALE	UNIT
CBL-HFD3igCS-xmLRA				mm
Drawing Name		Drawn	Date	REV.
USB 3.1 GEN 1 A to C Cable M/M				1.0



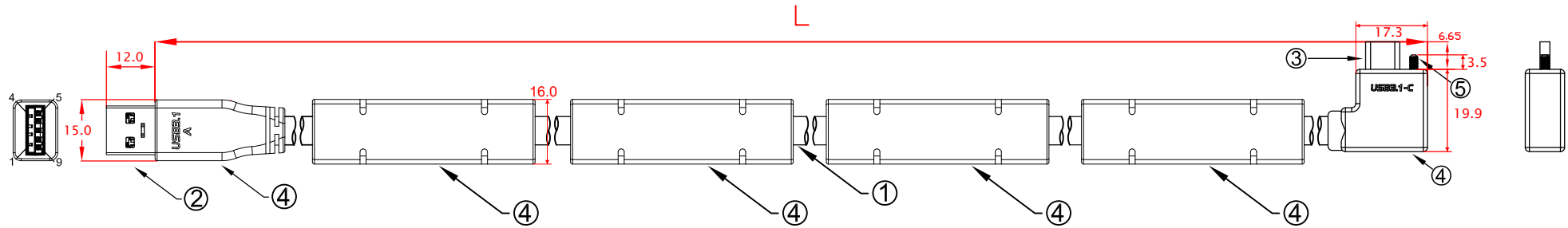
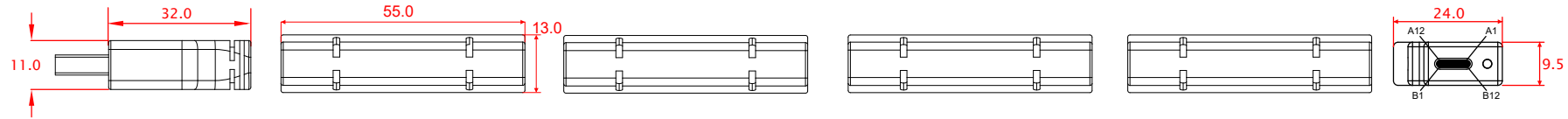
L:
 CBL-HFD3igCSN-10mLRA 10000mm±50mm
 CBL-HFD3igCSN-11mLRA 11000mm±50mm
 CBL-HFD3igCSN-12mLRA 12000mm±50mm

No MATERIALS LIST:

1.	CABLE:UL20236 (2x(2x28AWG)+2x(2x28AWG)C) OD:7.0mm PUR JACKET COLOR:RED LILAC
2.	CONNECTOR:USB 3.0 A/M, 9P, BLUE INSULATOR SOLDER TYPE, NICKEL PLATED SHELL
3.	CONNECTOR:USB 3.1 TYPE-C, MALE, NICKEL PLATED SHELL
4.	ABS ASSEMBLY HOUSING, BLACK COLOR
5.	SCREW:#4x23.32 M2

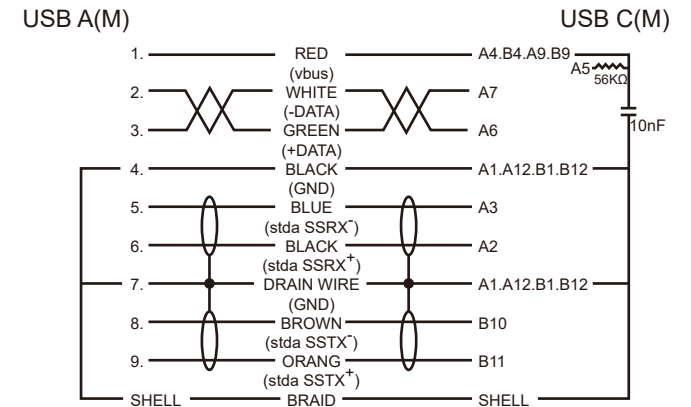


Jargy part no.	Client part no.	Approved	SCALE	UNIT
CBL-HFD3igCSN-xmLRA				mm
Drawing Name		Drawn	Date	REV.
USB 3.1 GEN 1 A to C Cable M/M				1.0



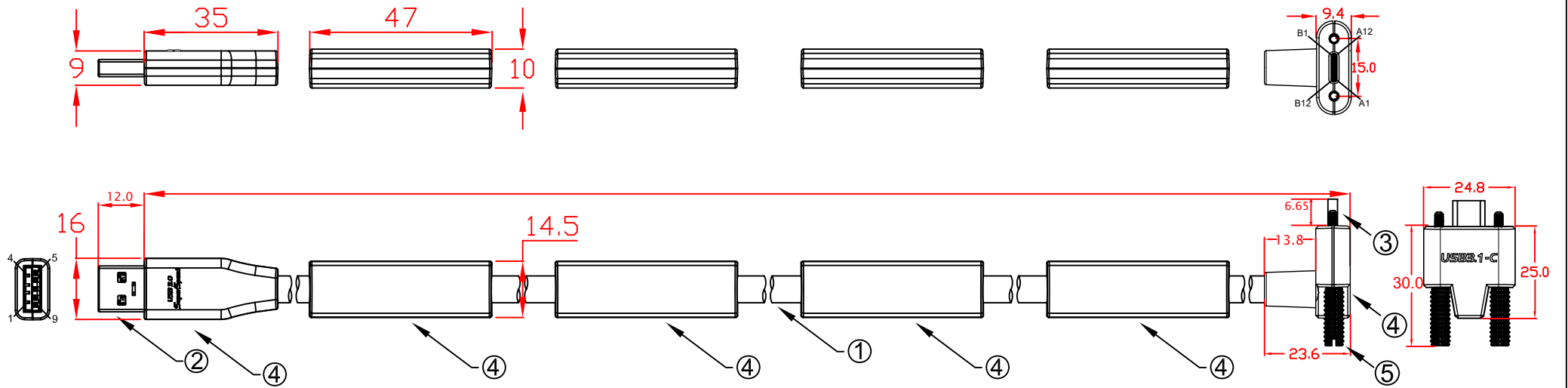
L:
 CBL-HFD3igCH-10mLRA 10000mm±50mm
 CBL-HFD3igCH-11mLRA 11000mm±50mm
 CBL-HFD3igCH-12mLRA 12000mm±50mm

PIN OUT

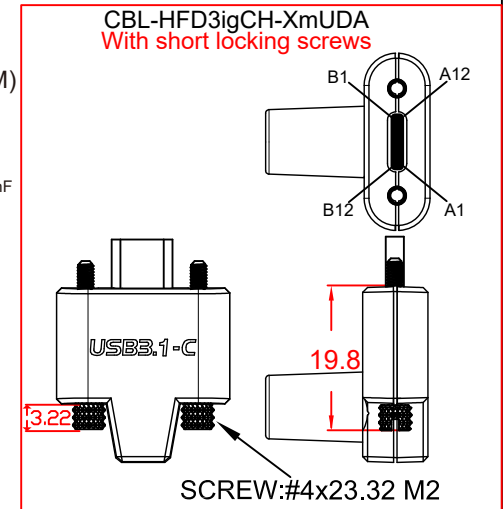
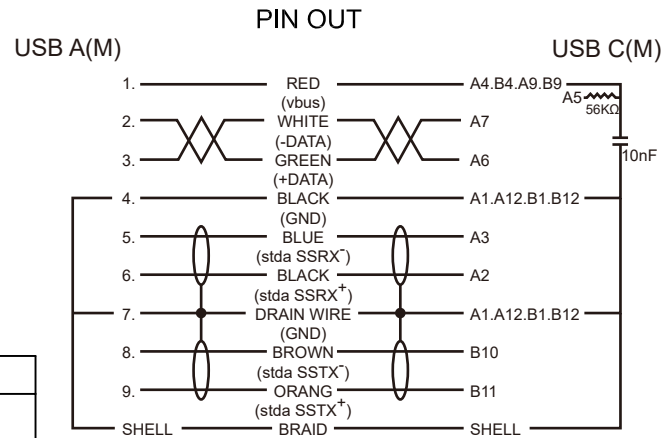


No	MATERIALS LIST:
1.	CABLE:UL20236 (2x(2x28AWG)+2x(2x28AWG)C) OD:7.0mm PUR JACKET COLOR:RED LILAC
2.	CONNECTOR:USB 3.0 A/M, 9P, BLUE INSULATOR SOLDER TYPE, NICKEL PLATED SHELL
3.	CONNECTOR:USB 3.1 TYPE-C, MALE, NICKEL PLATED SHELL
4.	PVC MOLDED HOUSING, BLACK COLOR
5.	SCREW:#4x23.32 M2

Jargy part no.	Client part no.	Approved	SCALE	UNIT
CBL-HFD3igCH-xlLRA				mm
Drawing Name		Drawn	Date	REV.
USB 3.1 GEN 1 A to C Cable M/M				1.0

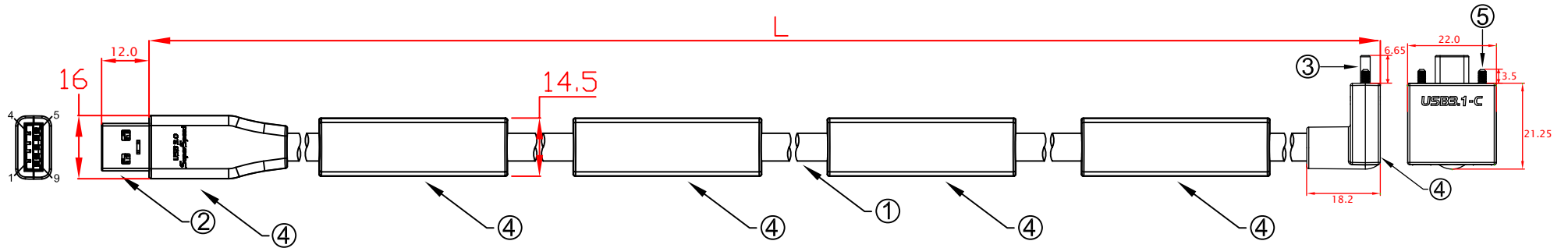
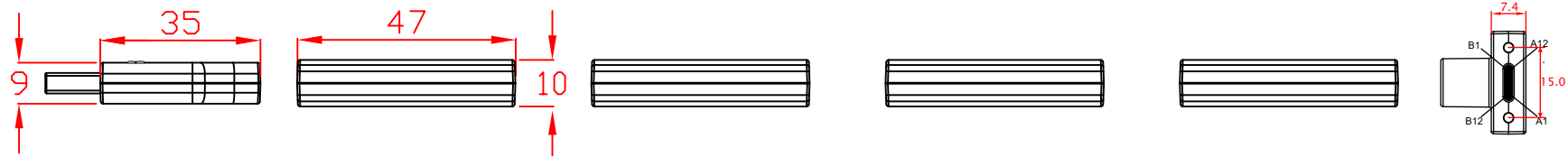


L:
 CBL-HFD3igCS-10mUDA 10000mm±50mm
 CBL-HFD3igCS-11mUDA 11000mm±50mm
 CBL-HFD3igCS-12mUDA 12000mm±50mm



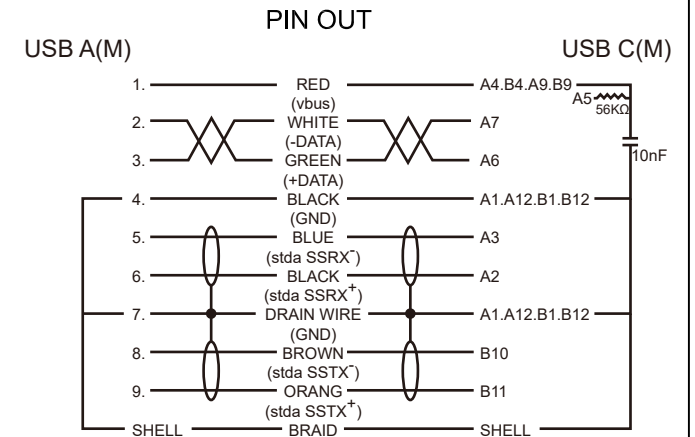
No	MATERIALS LIST:
1.	CABLE:UL20236 (2x(2x28AWG)+2x(2x28AWG)C) OD:7.0mm PUR JACKET COLOR:RED LILAC
2.	CONNECTOR:USB 3.0 A/M, 9P, BLUE INSULATOR SOLDER TYPE, NICKEL PLATED SHELL
3.	CONNECTOR:USB 3.1 TYPE-C, MALE, NICKEL PLATED SHELL
4.	ABS ASSEMBLY HOUSING, BLACK COLOR
5.	SCREW:#4x33 M2

Jargy part no.	Client part no.	Approved	SCALE	UNIT
CBL-HFD3igCS-xmUDA				mm
Drawing Name		Drawn	Date	REV.
USB 3.1 GEN 1 A to C Cable M/M				1.0

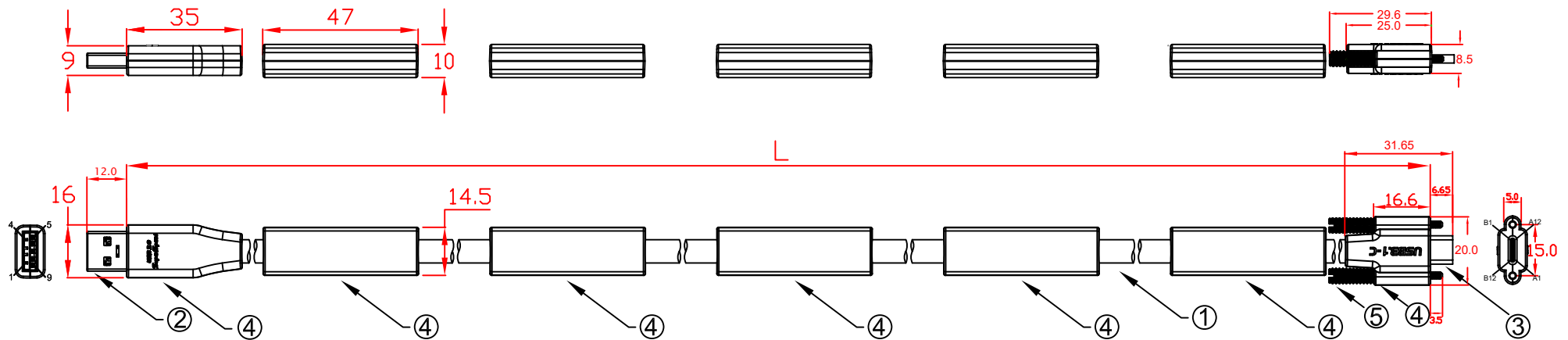


L:
 CBL-HFD3igCSN-10mUDA 10000mm±50mm
 CBL-HFD3igCSN-11mUDA 11000mm±50mm
 CBL-HFD3igCSN-12mUDA 12000mm±50mm

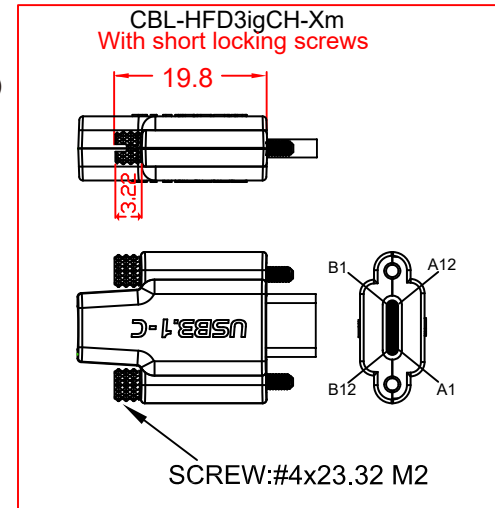
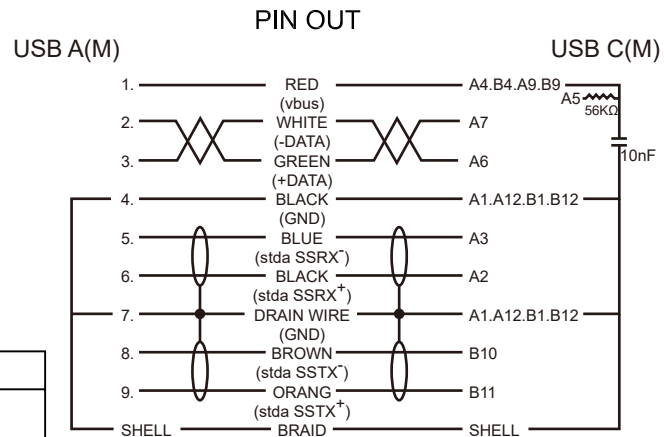
No	MATERIALS LIST:
1.	CABLE:UL20236 (2x(2x28AWG)+2x(2x28AWG)C) OD:7.0mm PUR JACKET COLOR:RED LILAC
2.	CONNECTOR:USB 3.0 A/M, 9P, BLUE INSULATOR SOLDER TYPE, NICKEL PLATED SHELL
3.	CONNECTOR:USB 3.1 TYPE-C, MALE, NICKEL PLATED SHELL
4.	ABS ASSEMBLY HOUSING, BLACK COLOR
5.	SCREW:#4x23.32 M2



Jargy part no.	Client part no.	Approved	SCALE	UNIT
CBL-HFD3igCSN-xmUDA				mm
Drawing Name		Drawn	Date	REV.
USB 3.1 GEN 1 A to C Cable M/M				1.0

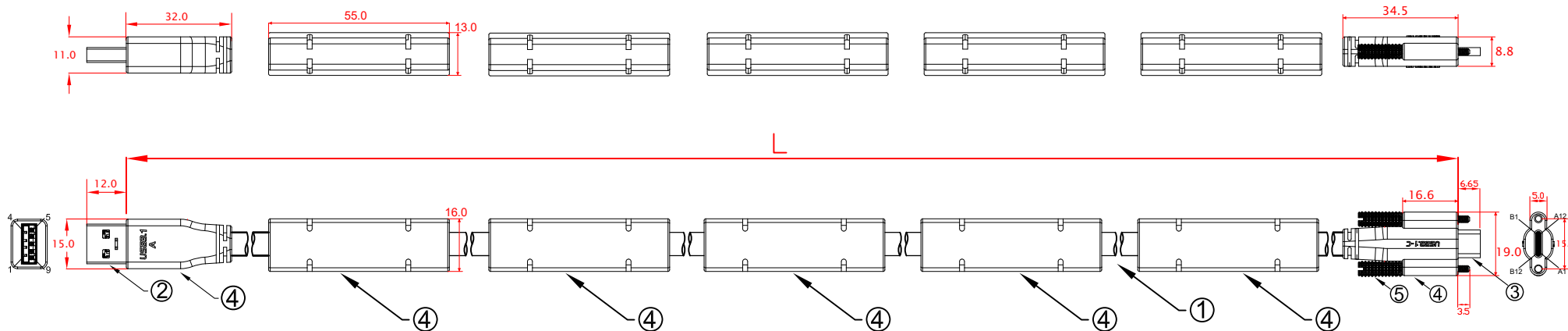


L:
 CBL-HFD3igCS-13m 13000mm±50mm
 CBL-HFD3igCS-14m 14000mm±50mm
 CBL-HFD3igCS-15m 15000mm±50mm

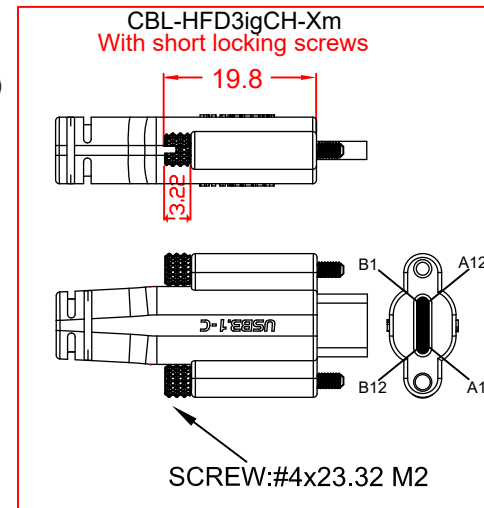
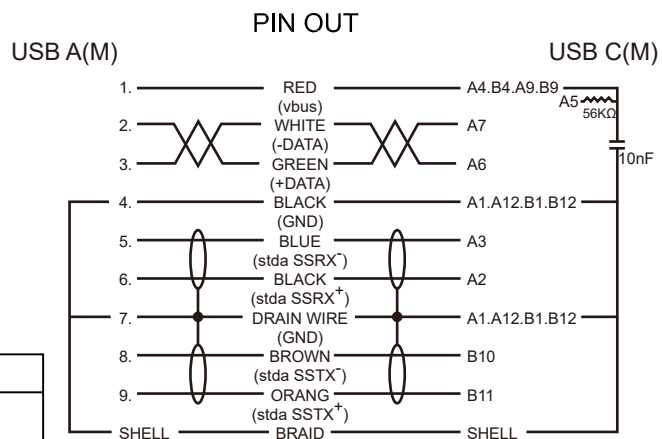


No	MATERIALS LIST:
1.	CABLE:UL20236 (2x(2x28AWG)+2x(2x28AWG)C) OD:7.0mm PUR JACKET COLOR:RED LILAC
2.	CONNECTOR:USB 3.0 A/M, 9P, BLUE INSULATOR SOLDER TYPE, NICKEL PLATED SHELL
3.	CONNECTOR:USB 3.1 TYPE-C, MALE, NICKEL PLATED SHELL
4.	ABS ASSEMBLY HOUSING, BLACK COLOR
5.	SCREW:#4x33 M2

Jargy part no.	Client part no.	Approved	SCALE	UNIT
CBL-HFD3igCS-xm				mm
Drawing Name		Drawn	Date	REV.
USB 3.1 GEN 1 A to C Cable M/M				1.0



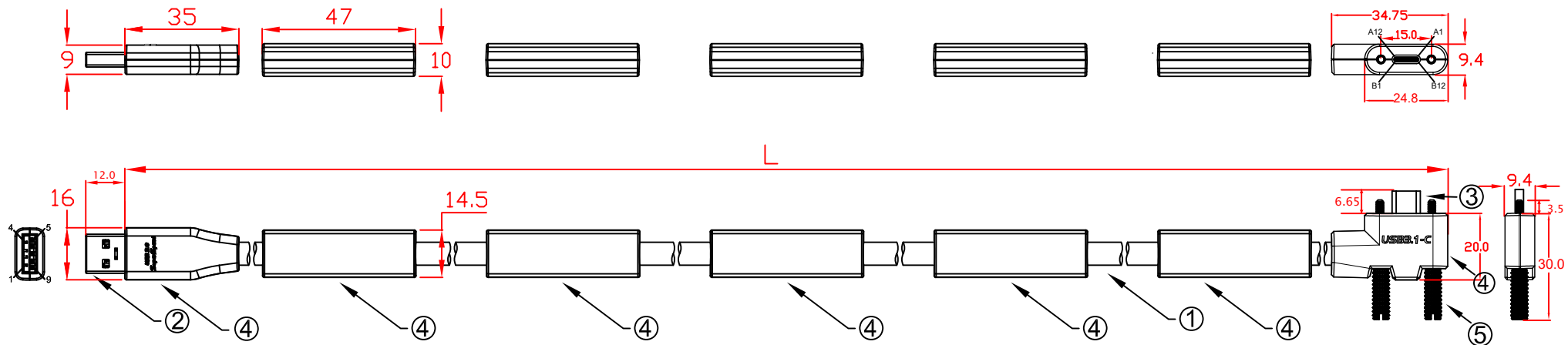
- L:**
 CBL-HFD3igCS-13m 13000mm±50mm
 CBL-HFD3igCS-14m 14000mm±50mm
 CBL-HFD3igCS-15m 15000mm±50mm



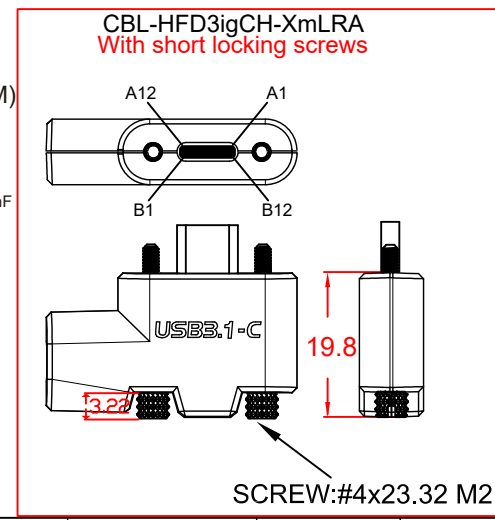
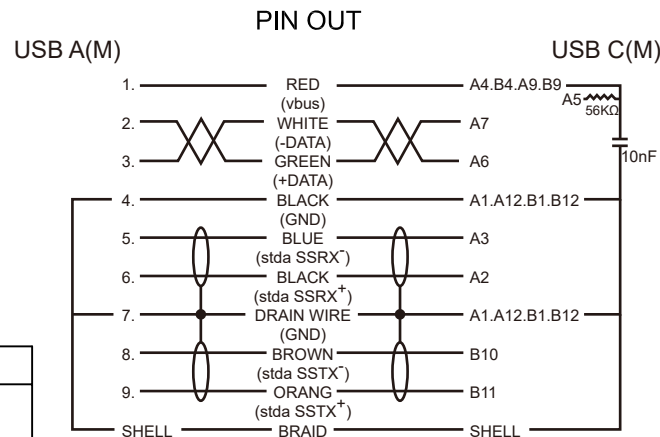
No	MATERIALS LIST:
1.	CABLE:UL20236 (2x(2x28AWG)+2x(2x28AWG)C) OD:7.0mm PUR JACKET COLOR:RED LILAC
2.	CONNECTOR:USB 3.0 A/M, 9P, BLUE INSULATOR SOLDER TYPE, NICKEL PLATED SHELL
3.	CONNECTOR:USB 3.1 TYPE-C, MALE, NICKEL PLATED SHELL
4.	PVC MOLDED HOUSING, BLACK COLOR
5.	SCREW:#4x33 M2

Jargy part no.	Client part no.	Approved	SCALE	UNIT
CBL-HFD3igCS-xm				mm
Drawing Name		Drawn	Date	REV.
USB 3.1 GEN 1 A to C Cable M/M				1.0

Mobile Computing **JARGY**

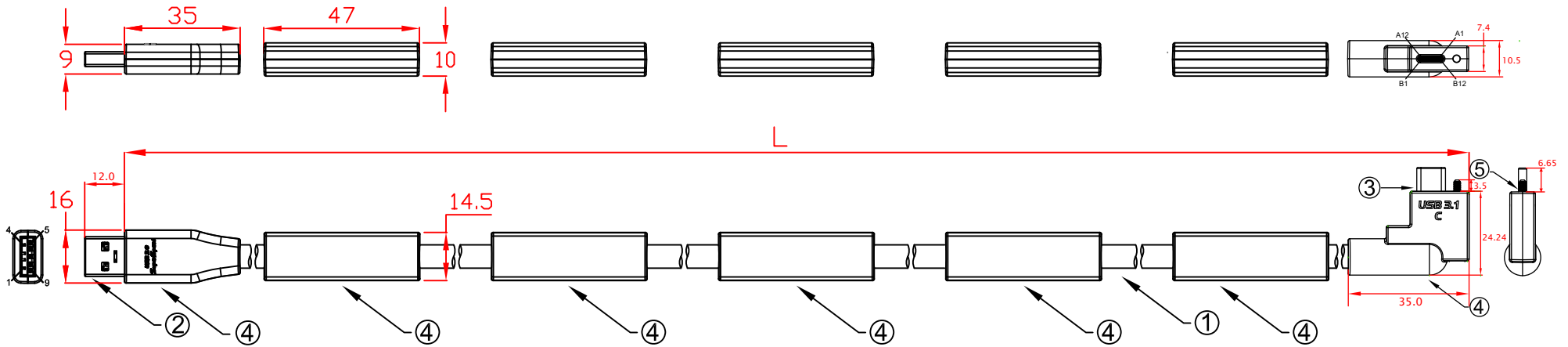


L:
 CBL-HFD3igCS-13mLRA 13000mm±50mm
 CBL-HFD3igCS-14mLRA 14000mm±50mm
 CBL-HFD3igCS-15mLRA 15000mm±50mm



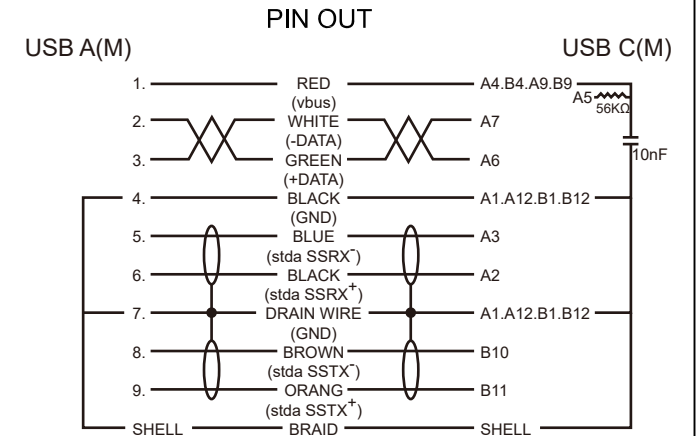
No	MATERIALS LIST:
1.	CABLE:UL20236 (2x(2x28AWG)+2x(2x28AWG)C) OD:7.0mm PUR JACKET COLOR:RED LILAC
2.	CONNECTOR:USB 3.0 A/M, 9P, BLUE INSULATOR SOLDER TYPE, NICKEL PLATED SHELL
3.	CONNECTOR:USB 3.1 TYPE-C, MALE, NICKEL PLATED SHELL
4.	ABS ASSEMBLY HOUSING, BLACK COLOR
5.	SCREW:#4x33 M2

Jargy part no.	Client part no.	Approved	SCALE	UNIT
CBL-HFD3igCS-xmLRA				mm
Drawing Name		Drawn	Date	REV.
USB 3.1 GEN 1 A to C Cable M/M				1.0

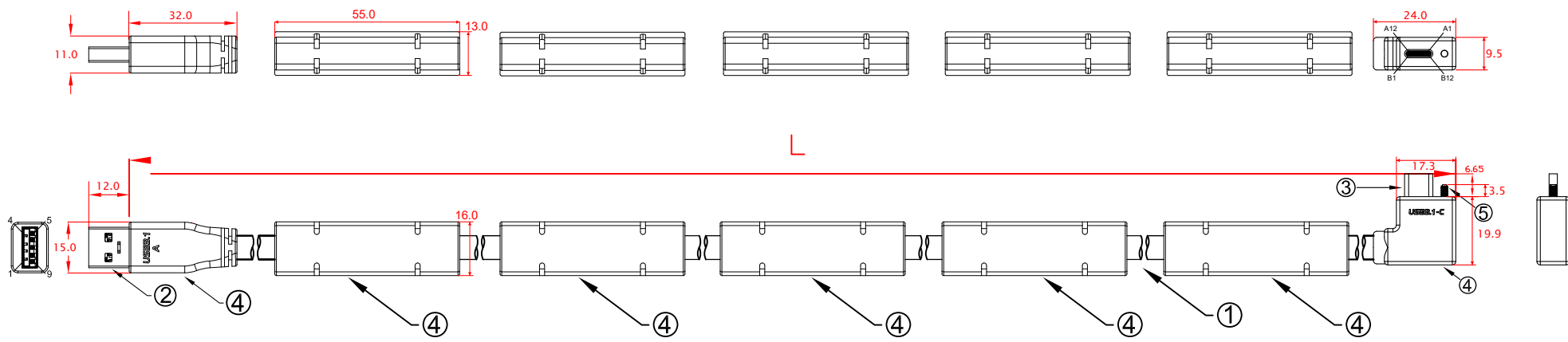


L:
 CBL-HFD3igCSN-13mLRA 13000mm±50mm
 CBL-HFD3igCSN-14mLRA 14000mm±50mm
 CBL-HFD3igCSN-15mLRA 15000mm±50mm

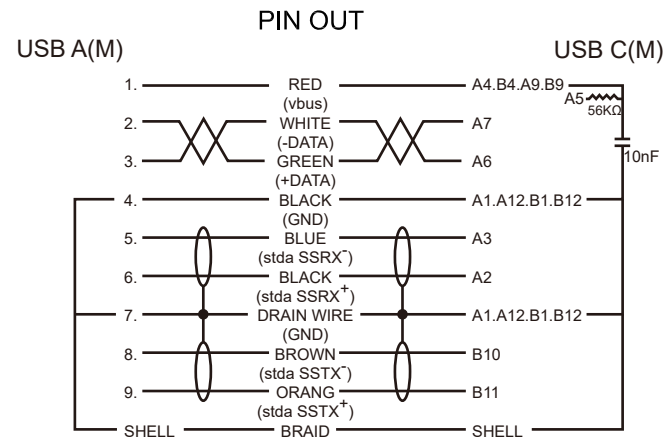
No	MATERIALS LIST:
1.	CABLE:UL20236 (2x(2x28AWG)+2x(2x28AWG)C) OD:7.0mm PUR JACKET COLOR:RED LILAC
2.	CONNECTOR:USB 3.0 A/M, 9P, BLUE INSULATOR SOLDER TYPE, NICKEL PLATED SHELL
3.	CONNECTOR:USB 3.1 TYPE-C, MALE, NICKEL PLATED SHELL
4.	ABS ASSEMBLY HOUSING, BLACK COLOR
5.	SCREW:#4x23.32 M2



Jargy part no.	Client part no.	Approved	SCALE	UNIT
CBL-HFD3igCSN-xmLRA				mm
Drawing Name		Drawn	Date	REV.
USB 3.1 GEN 1 A to C Cable M/M				1.0

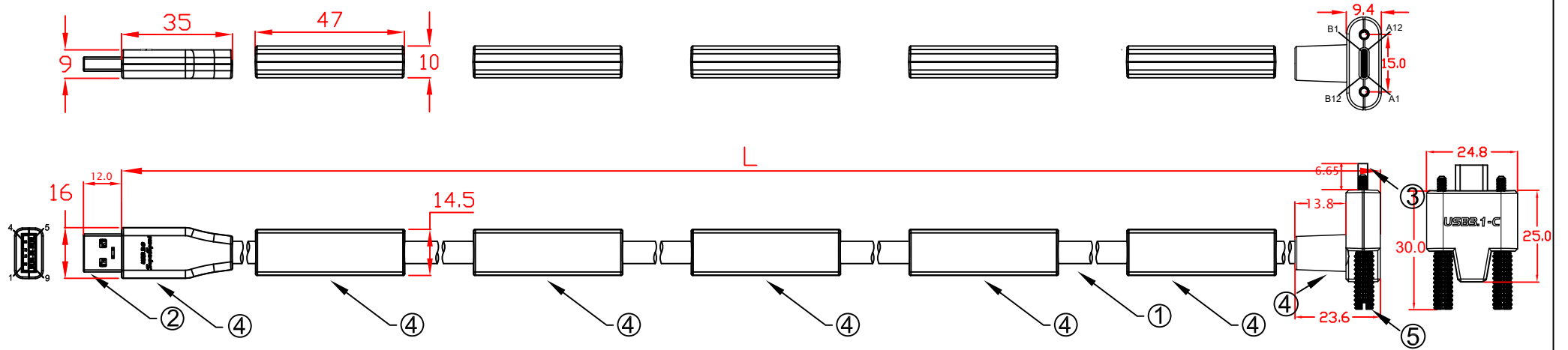


L:
 CBL-HFD3igCH-13mLRA 13000mm±50mm
 CBL-HFD3igCH-14mLRA 14000mm±50mm
 CBL-HFD3igCH-15mLRA 15000mm±50mm

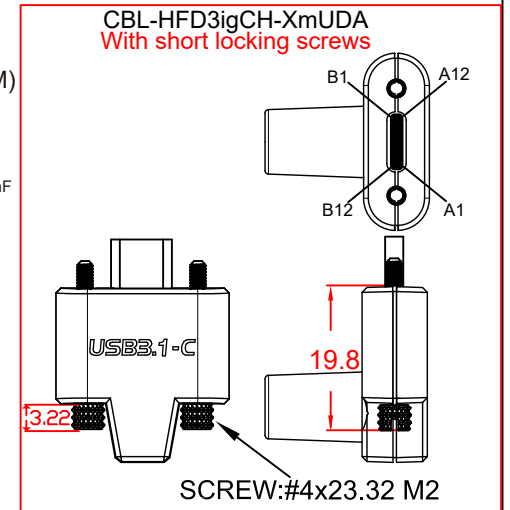
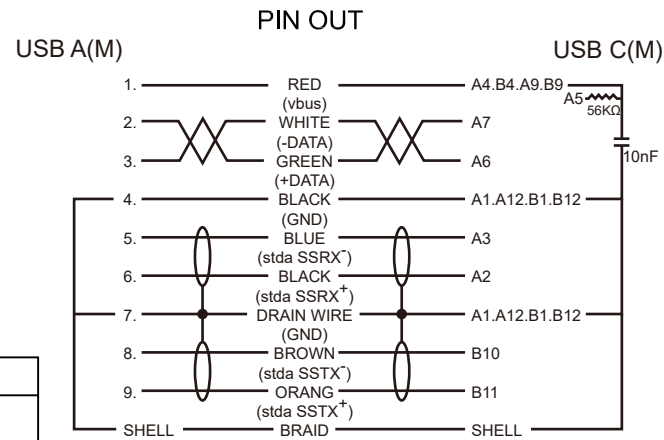


No	MATERIALS LIST:
1.	CABLE:UL20236 (2x(2x28AWG)+2x(2x28AWG)C) OD:7.0mm PUR JACKET COLOR:RED LILAC
2.	CONNECTOR:USB 3.0 A/M, 9P, BLUE INSULATOR SOLDER TYPE, NICKEL PLATED SHELL
3.	CONNECTOR:USB 3.1 TYPE-C, MALE, NICKEL PLATED SHELL
4.	PVC MOLDED HOUSING, BLACK COLOR
5.	SCREW:#4x23.32 M2

Jargy part no.	Client part no.	Approved	SCALE	UNIT
CBL-HFD3igCH-xlLRA				mm
Drawing Name		Drawn	Date	REV.
USB 3.1 GEN 1 A to C Cable M/M				1.0



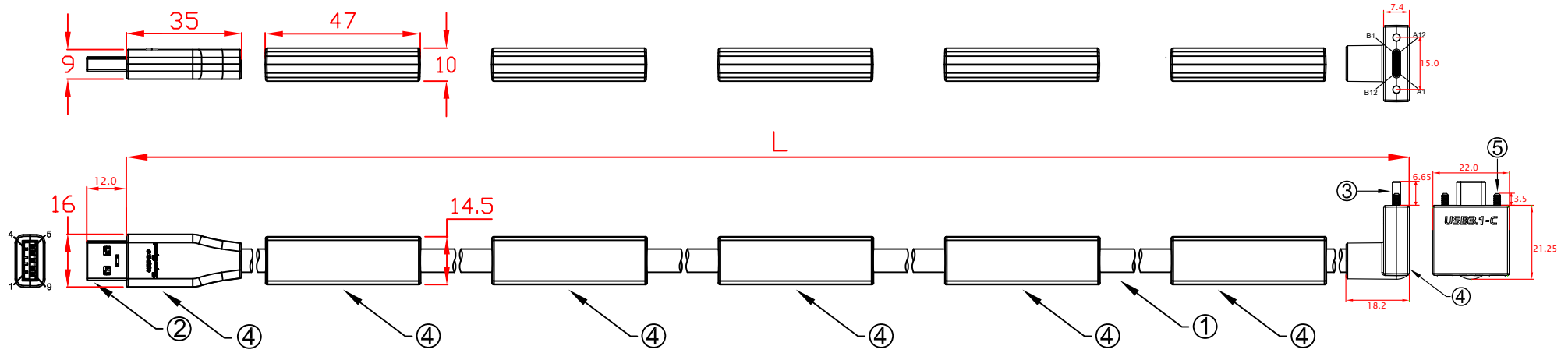
L:
 CBL-HFD3igCS-13mUDA 13000mm±50mm
 CBL-HFD3igCS-14mUDA 14000mm±50mm
 CBL-HFD3igCS-15mUDA 15000mm±50mm



No	MATERIALS LIST:
1.	CABLE:UL20236 (2x(2x28AWG)+2x(2x28AWG)C) OD:7.0mm PUR JACKET COLOR:RED LILAC
2.	CONNECTOR:USB 3.0 A/M, 9P, BLUE INSULATOR SOLDER TYPE, NICKEL PLATED SHELL
3.	CONNECTOR:USB 3.1 TYPE-C, MALE, NICKEL PLATED SHELL
4.	ABS ASSEMBLY HOUSING, BLACK COLOR
5.	SCREW:#4x33 M2

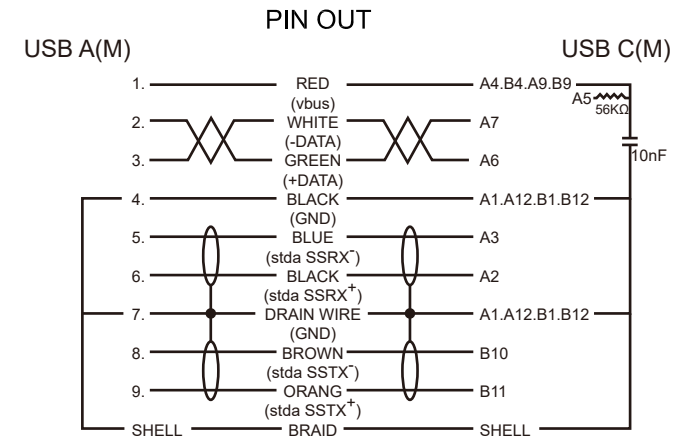
Jargy part no.	Client part no.	Approved	SCALE	UNIT
CBL-HFD3igCS-xmUDA				mm
Drawing Name		Drawn	Date	REV.
USB 3.1 GEN 1 A to C Cable M/M				1.0

Mobile Computing **JARGY**

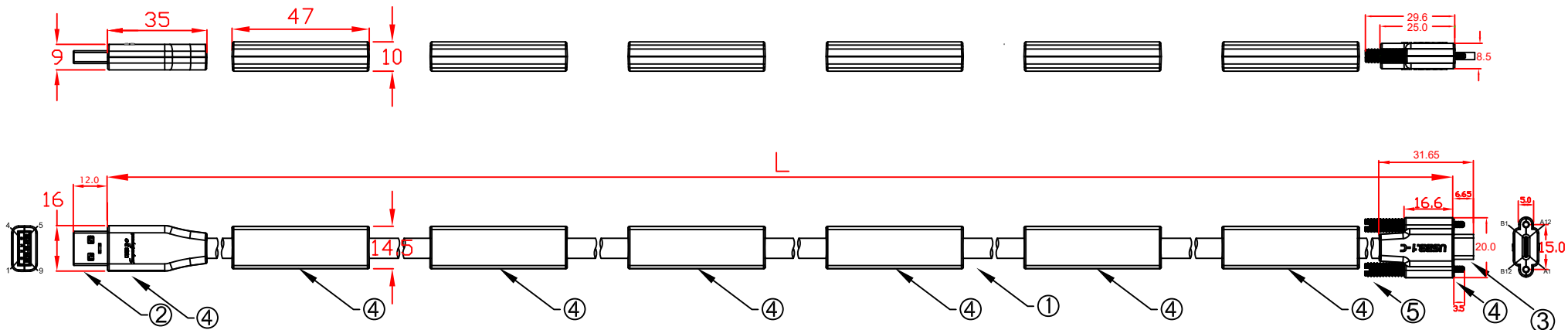


L:
 CBL-HFD3igCSN-13mUDA 13000mm±50mm
 CBL-HFD3igCSN-14mUDA 14000mm±50mm
 CBL-HFD3igCSN-15mUDA 15000mm±50mm

No	MATERIALS LIST:
1.	CABLE:UL20236 (2x(2x28AWG)+2x(2x28AWG)C) OD:7.0mm PUR JACKET COLOR:RED LILAC
2.	CONNECTOR:USB 3.0 A/M, 9P, BLUE INSULATOR SOLDER TYPE, NICKEL PLATED SHELL
3.	CONNECTOR:USB 3.1 TYPE-C, MALE, NICKEL PLATED SHELL
4.	ABS ASSEMBLY HOUSING, BLACK COLOR
5.	SCREW:#4x23.32 M2

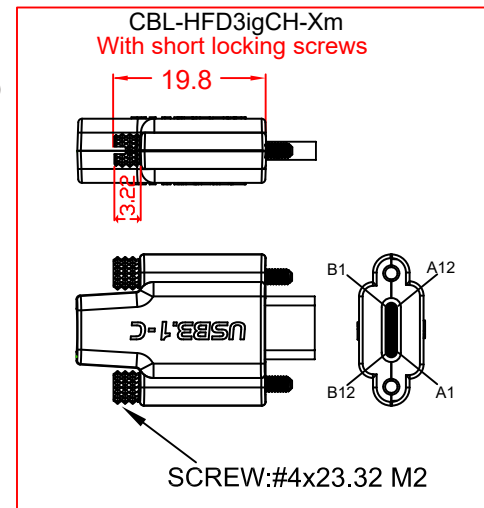
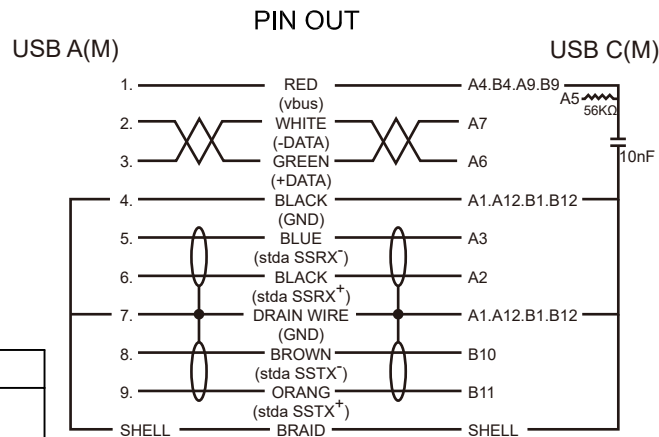


Jargy part no.	Client part no.	Approved	SCALE	UNIT
CBL-HFD3igCSN-xmUDA				mm
Drawing Name		Drawn	Date	REV.
USB 3.1 GEN 1 A to C Cable M/M				1.0

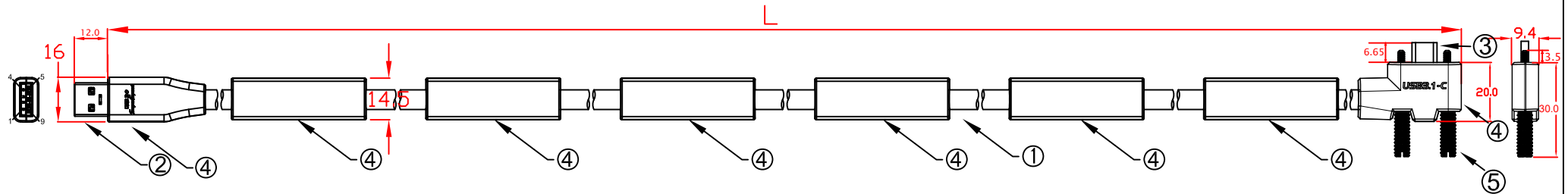
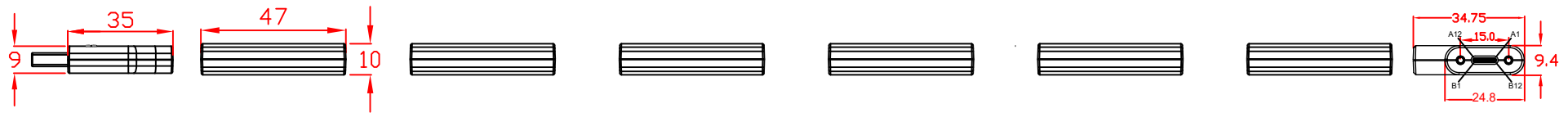


- L:
- CBL-HFD3igCS-16m 16000mm±50mm
 - CBL-HFD3igCS-17m 17000mm±50mm
 - CBL-HFD3igCS-18m 18000mm±50mm
 - CBL-HFD3igCS-19m 19000mm±50mm
 - CBL-HFD3igCS-20m 20000mm±50mm

No	MATERIALS LIST:
1.	CABLE:UL20236 (2x(2x28AWG)+2x(2x28AWG)C) OD:7.0mm PUR JACKET COLOR:RED LILAC
2.	CONNECTOR:USB 3.0 A/M, 9P, BLUE INSULATOR SOLDER TYPE, NICKEL PLATED SHELL
3.	CONNECTOR:USB 3.1 TYPE-C, MALE, NICKEL PLATED SHELL
4.	ABS ASSEMBLY HOUSING, BLACK COLOR
5.	SCREW:#4x33 M2

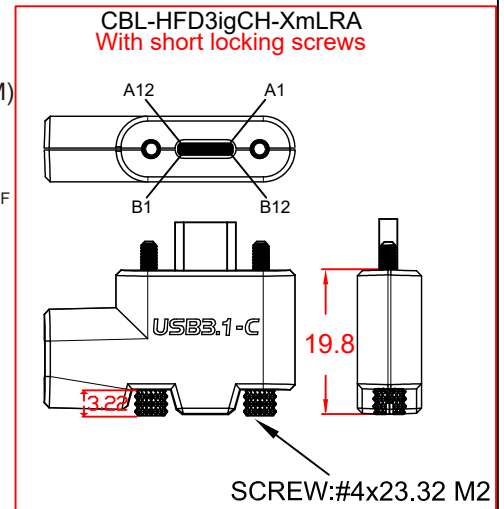
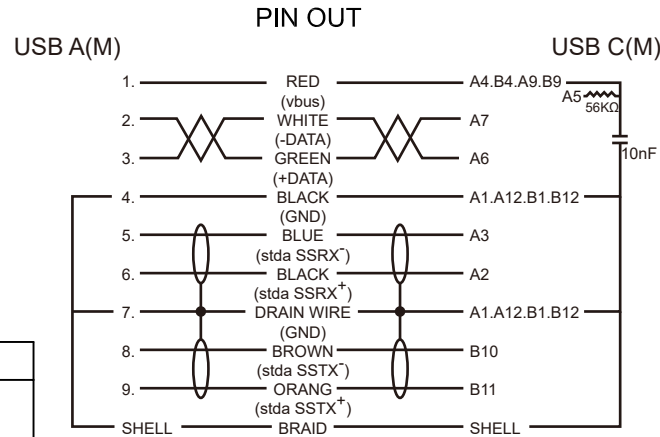


Jargy part no.	Client part no.	Approved	SCALE	UNIT
CBL-HFD3igCS-xm				mm
Drawing Name		Drawn	Date	REV.
USB 3.1 GEN 1 A to C Cable M/M				1.0

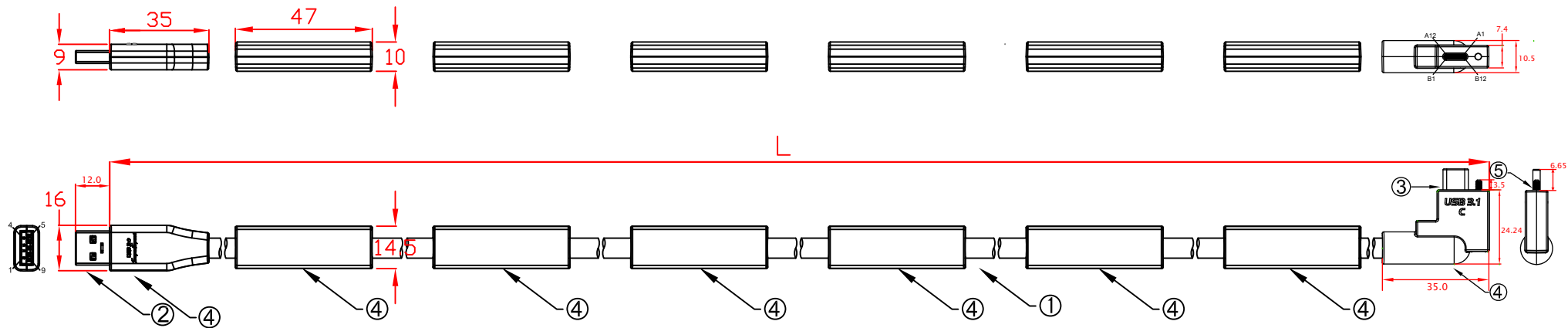


- L:
- CBL-HFD3igCS-16mLRA 16000mm±50mm
 - CBL-HFD3igCS-17mLRA 17000mm±50mm
 - CBL-HFD3igCS-18mLRA 18000mm±50mm
 - CBL-HFD3igCS-19mLRA 19000mm±50mm
 - CBL-HFD3igCS-20mLRA 20000mm±50mm

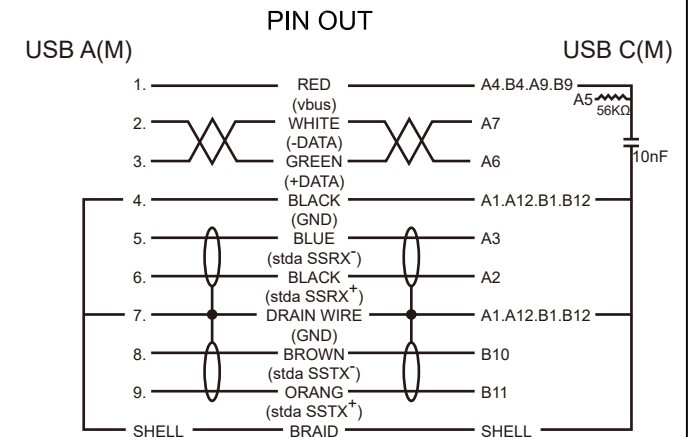
No	MATERIALS LIST:
1.	CABLE:UL20236 (2x(2x28AWG)+2x(2x28AWG)C) OD:7.0mm PUR JACKET COLOR:RED LILAC
2.	CONNECTOR:USB 3.0 A/M, 9P, BLUE INSULATOR SOLDER TYPE, NICKEL PLATED SHELL
3.	CONNECTOR:USB 3.1 TYPE-C, MALE, NICKEL PLATED SHELL
4.	ABS ASSEMBLY HOUSING, BLACK COLOR
5.	SCREW:#4x33 M2



Jargy part no.	Client part no.	Approved	SCALE	UNIT
CBL-HFD3igCS-xmLRA				mm
Drawing Name		Drawn	Date	REV.
USB 3.1 GEN 1 A to C Cable M/M				1.0

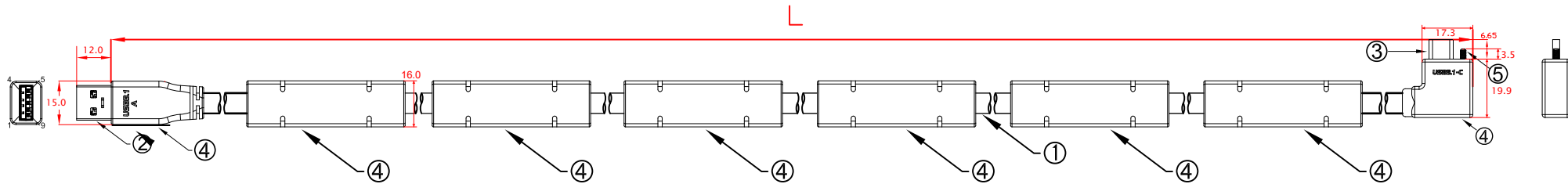
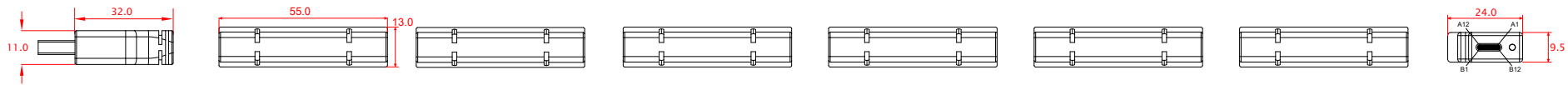


- L:
- CBL-HFD3igCSN-16mLRA 16000mm±50mm
 - CBL-HFD3igCSN-17mLRA 17000mm±50mm
 - CBL-HFD3igCSN-18mLRA 18000mm±50mm
 - CBL-HFD3igCSN-19mLRA 19000mm±50mm
 - CBL-HFD3igCSN-20mLRA 20000mm±50mm



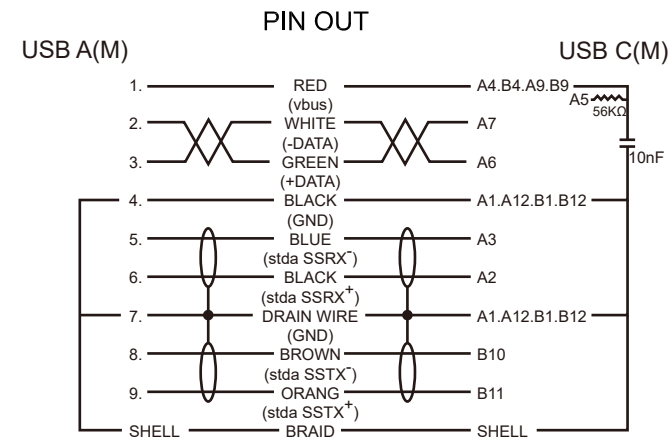
No	MATERIALS LIST:
1.	CABLE:UL20236 (2x(2x28AWG)+2x(2x28AWG)C) OD:7.0mm PUR JACKET COLOR:RED LILAC
2.	CONNECTOR:USB 3.0 A/M, 9P, BLUE INSULATOR SOLDER TYPE, NICKEL PLATED SHELL
3.	CONNECTOR:USB 3.1 TYPE-C, MALE, NICKEL PLATED SHELL
4.	ABS ASSEMBLY HOUSING, BLACK COLOR
5.	SCREW:#4x23.32 M2

Jargy part no.	Client part no.	Approved	SCALE	UNIT
CBL-HFD3igCSN-xmLRA				mm
Drawing Name		Drawn	Date	REV.
USB 3.1 GEN 1 A to C Cable M/M				1.0

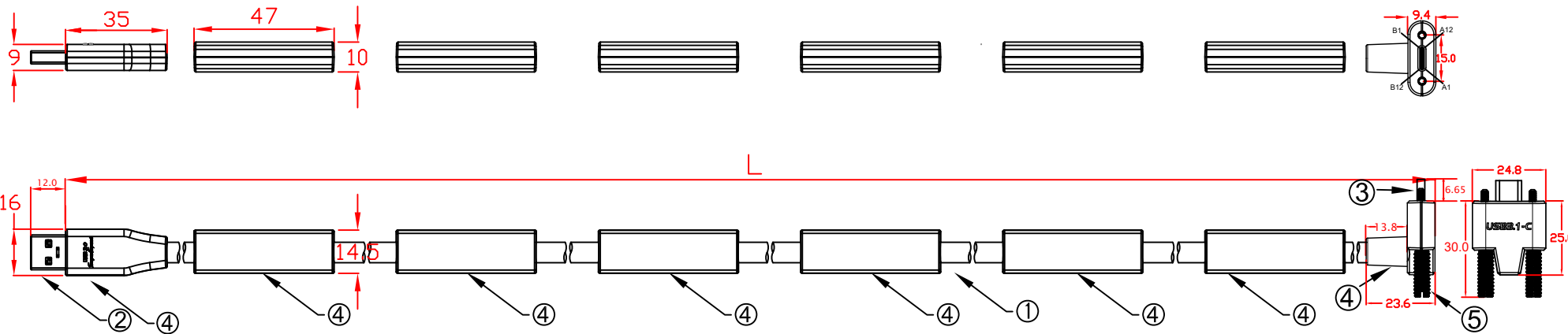


- L:
- CBL-HFD3igCH-16mLRA 16000mm±50mm
 - CBL-HFD3igCH-17mLRA 17000mm±50mm
 - CBL-HFD3igCH-18mLRA 18000mm±50mm
 - CBL-HFD3igCH-19mLRA 19000mm±50mm
 - CBL-HFD3igCH-20mLRA 20000mm±50mm

No	MATERIALS LIST:
1.	CABLE:UL20236 (2x(2x28AWG)+2x(2x28AWG)C) OD:7.0mm PUR JACKET COLOR:RED LILAC
2.	CONNECTOR:USB 3.0 A/M, 9P, BLUE INSULATOR SOLDER TYPE, NICKEL PLATED SHELL
3.	CONNECTOR:USB 3.1 TYPE-C, MALE, NICKEL PLATED SHELL
4.	PVC MOLDED HOUSING, BLACK COLOR
5.	SCREW:#4x23.32 M2

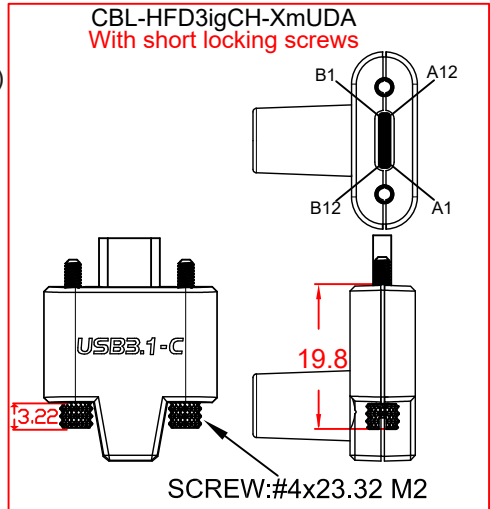
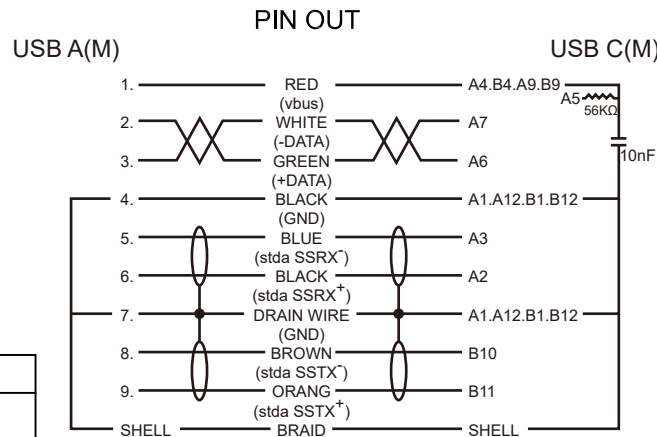


Jargy part no.	Client part no.	Approved	SCALE	UNIT
CBL-HFD3igCH-xmLRA				mm
Drawing Name		Drawn	Date	REV.
USB 3.1 GEN 1 A to C Cable M/M				1.0

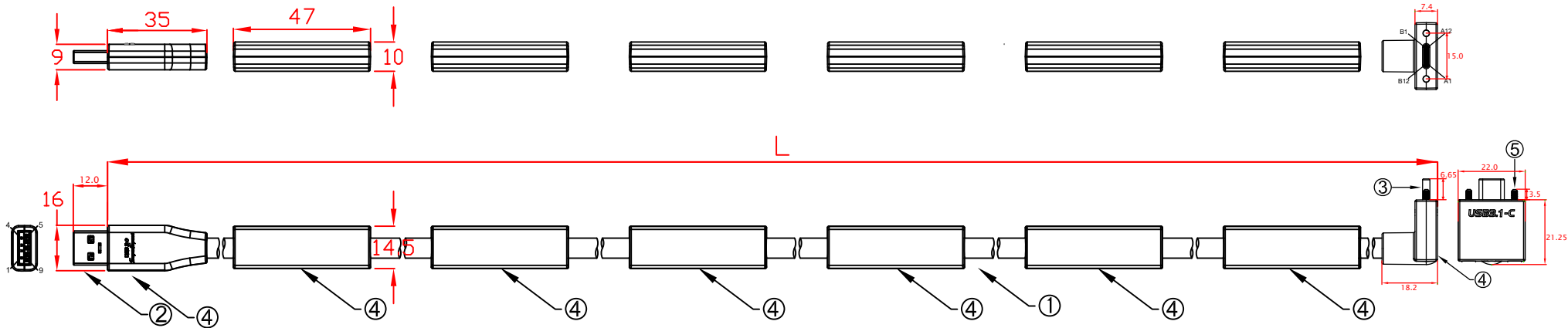


- L:
- CBL-HFD3igCS-16mUDA 16000mm±50mm
 - CBL-HFD3igCS-17mUDA 17000mm±50mm
 - CBL-HFD3igCS-18mUDA 18000mm±50mm
 - CBL-HFD3igCS-19mUDA 19000mm±50mm
 - CBL-HFD3igCS-20mUDA 20000mm±50mm

No	MATERIALS LIST:
1.	CABLE:UL20236 (2x(2x28AWG)+2x(2x28AWG)C) OD:7.0mm PUR JACKET COLOR:RED LILAC
2.	CONNECTOR:USB 3.0 A/M, 9P, BLUE INSULATOR SOLDER TYPE, NICKEL PLATED SHELL
3.	CONNECTOR:USB 3.1 TYPE-C, MALE, NICKEL PLATED SHELL
4.	ABS ASSEMBLY HOUSING, BLACK COLOR
5.	SCREW:#4x33 M2

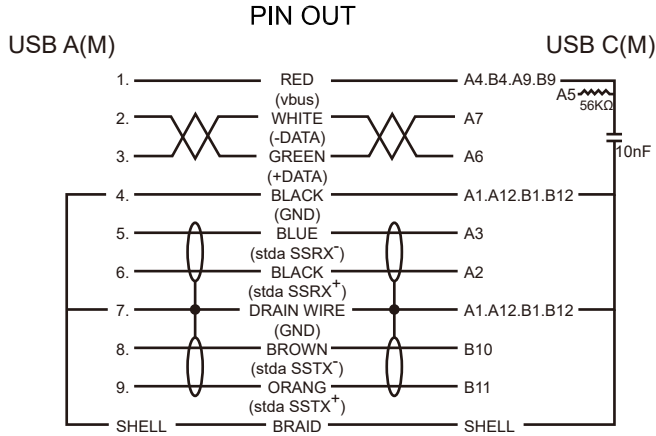


Jargy part no.	Client part no.	Approved	SCALE	UNIT
CBL-HFD3igCS-xmUDA				mm
Drawing Name		Drawn	Date	REV.
USB 3.1 GEN 1 A to C Cable M/M				1.0



- L:
- CBL-HFD3igCSN-16mUDA 16000mm±50mm
 - CBL-HFD3igCSN-17mUDA 17000mm±50mm
 - CBL-HFD3igCSN-18mUDA 18000mm±50mm
 - CBL-HFD3igCSN-19mUDA 19000mm±50mm
 - CBL-HFD3igCSN-20mUDA 20000mm±50mm

No	MATERIALS LIST:
1.	CABLE:UL20236 (2x(2x28AWG)+2x(2x28AWG)C) OD:7.0mm PUR JACKET COLOR:RED LILAC
2.	CONNECTOR:USB 3.0 A/M, 9P, BLUE INSULATOR SOLDER TYPE, NICKEL PLATED SHELL
3.	CONNECTOR:USB 3.1 TYPE-C, MALE, NICKEL PLATED SHELL
4.	ABS ASSEMBLY HOUSING, BLACK COLOR
5.	SCREW:#4x23.32 M2



Jargy part no.	Client part no.	Approved	SCALE	UNIT
CBL-HFD3igCSN-xmUDA				mm
Drawing Name		Drawn	Date	REV.
USB 3.1 GEN 1 A to C Cable M/M				1.0